

**Zeitschrift:** IABSE structures = Constructions AIPC = IVBH Bauwerke  
**Band:** 7 (1983)  
**Heft:** C-26: Solar chimneys: The principle - the pilot plant - prospects for the future

## Werbung

### Nutzungsbedingungen

Die ETH-Bibliothek ist die Anbieterin der digitalisierten Zeitschriften. Sie besitzt keine Urheberrechte an den Zeitschriften und ist nicht verantwortlich für deren Inhalte. Die Rechte liegen in der Regel bei den Herausgebern beziehungsweise den externen Rechteinhabern. [Siehe Rechtliche Hinweise.](#)

### Conditions d'utilisation

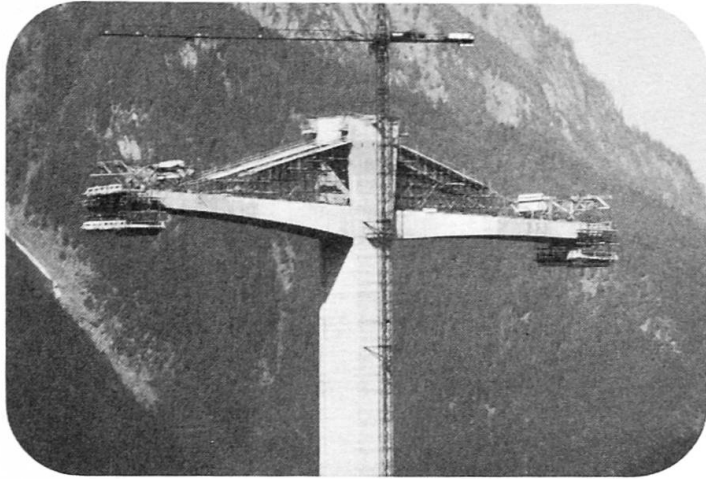
L'ETH Library est le fournisseur des revues numérisées. Elle ne détient aucun droit d'auteur sur les revues et n'est pas responsable de leur contenu. En règle générale, les droits sont détenus par les éditeurs ou les détenteurs de droits externes. [Voir Informations légales.](#)

### Terms of use

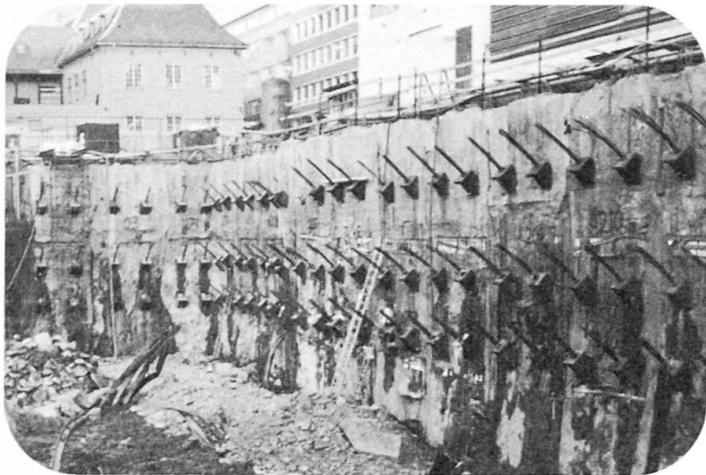
The ETH Library is the provider of the digitised journals. It does not own any copyrights to the journals and is not responsible for their content. The rights usually lie with the publishers or the external rights holders. [See Legal notice.](#)

**Download PDF:** 02.04.2025

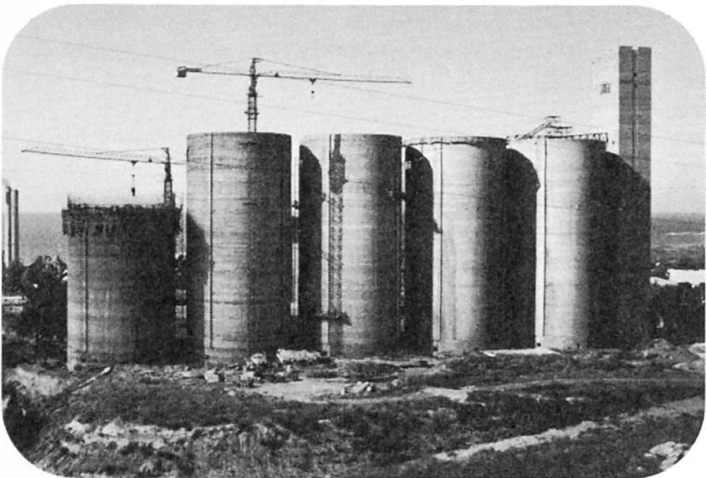
**ETH-Bibliothek Zürich, E-Periodica, <https://www.e-periodica.ch>**



**the symbol for:**



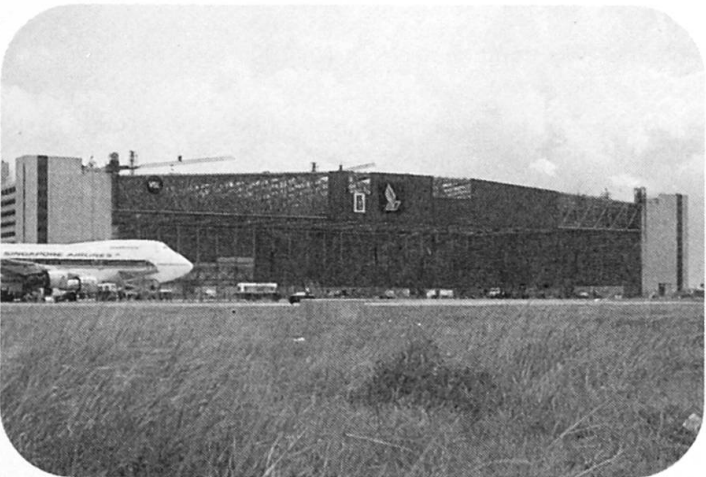
- **Post-tensioning**
- **Soil and Rock Anchors**
- **Slipforming**
- **Heavy Rigging**



Please send me detailed information on:

- Post-tensioning
- Soil and Rock Anchors
- Slipforming
- Heavy Rigging
- Other

send this coupon to the address below or to the next VSL Representative

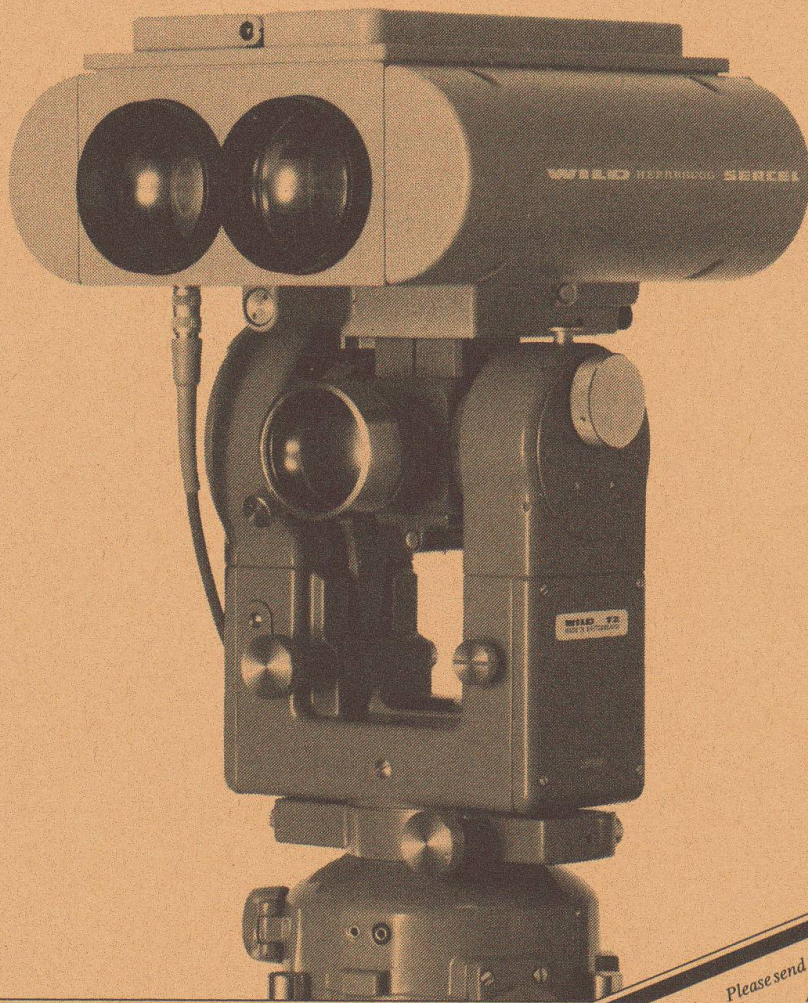


**Losinger Ltd.  
VSL International  
Könizstrasse 74  
3001 Berne/Switzerland  
Phone 031 45 22 11  
Telex 33300/32667**

Representatives in:  
Australia, Austria, Belgium, Brazil, Canada, Denmark, Finland, France, FR Germany, Greece, Honduras, Hong Kong, Indonesia, Iran, Ireland, Italy, Japan, Korea, Kuwait, Malaysia, Netherlands, Norway, Panama, Peru, Philippines, Portugal, Saudi Arabia, Singapore, South Africa, Sweden, Switzerland, Taiwan, Turkey, United Kingdom, USA, Venezuela.



# 14 km away with millimetre accuracy within seconds



## is how the Wild DI20 Distomat measures.

We have perfected infra-red distance measurement. The latest proof: with the Wild DI20 you can measure up to 14 km, and as much as 6 km to a single prism. In six seconds, the Wild DI20 will measure with an accuracy of  $\pm 5 \text{ mm} + 1 \text{ ppm}$ .

Would you like to know more about it? Then send for detailed literature today! ■

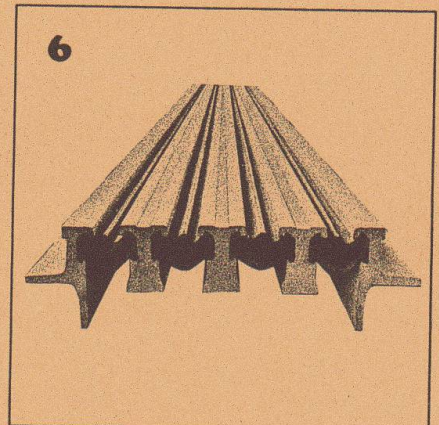
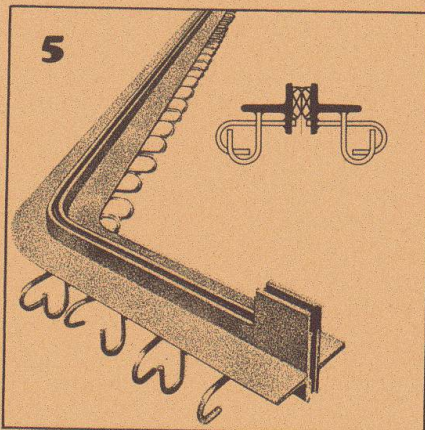
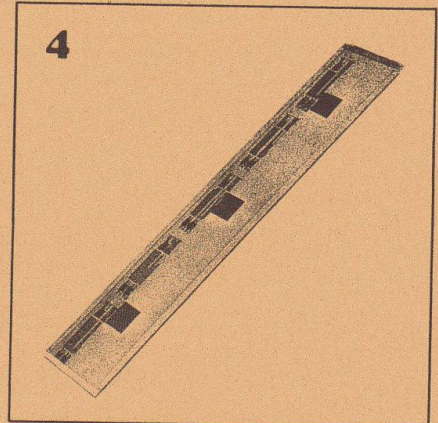
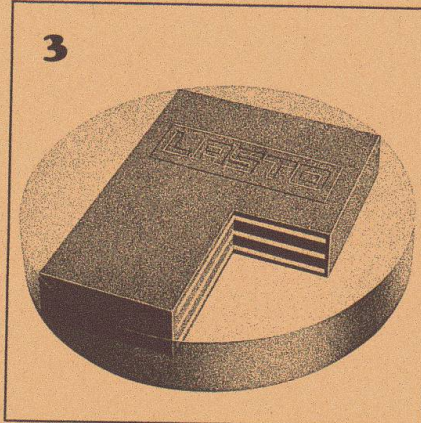
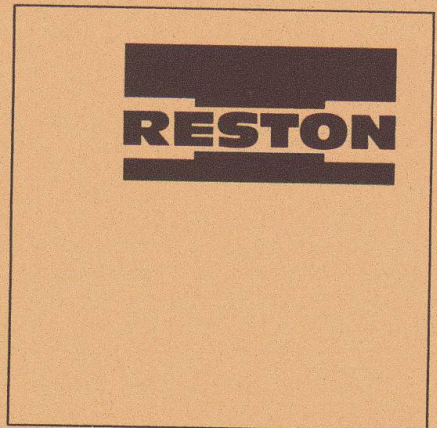
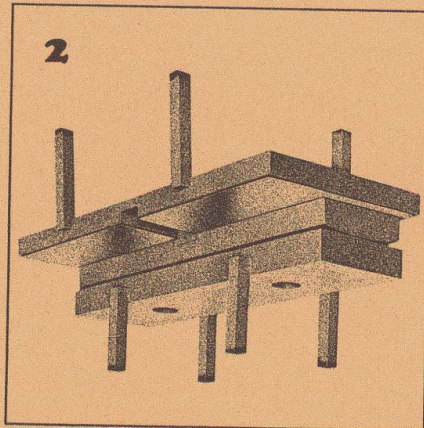
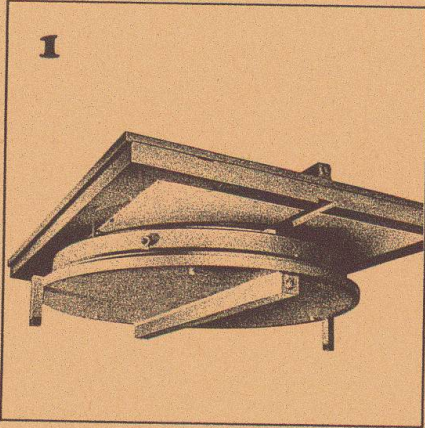


**WILD**  
**HEERBRUGG**

Please send your technical literature to: Wild DI20  
Address

Send to your nearest Wild representative  
or to Wild Heerbrugg Ltd.  
CH-9435 Heerbrugg,  
Switzerland.  
IVB 2-3





**1**  
**RESTON Pot Sliding Bearings** are highly suitable for installation in bridge structures. They feature a low-profile design, low weight and high loading capacity.

**2**  
**RESTON Linear Tilting and Sliding Bearings** are a combination of normal linear tilting bearings and PTFE sliding bearings and are suitable for installation in bridge structures.

**3**  
**LASTO-BLOCK Bearings** are suitable for building, civil engineering and bridge construction applications. Their simple form allows easy installation.

**4**  
**LASTO-STRIP Bearings for Buildings** were especially developed for building constructions. They are particularly suitable for movement compensation between concrete slabs and load-supporting walls and prevent structural cracking.

**5**  
**TENSA-ACME Roadway Construction Joints** are highly suitable for installation in traffic levels (parking lots, bridges, airport areas etc.). Dilatation up to 60 mm.

**6**  
**TENSA-LASTIC Roadway Construction Joints** meet all the requirements that can be made in bridge engineering of a modern joint design. They are rugged and watertight. Dilatation range 60 mm and bigger.

PROCEQ SA  
 Riesbachstrasse 57  
 CH-8034 Zurich

proceq

Phone: 01/47 7800  
 Telex 53357 proce ch