

Zeitschrift: Comtec : Informations- und Telekommunikationstechnologie = information and telecommunication technology

Herausgeber: Swisscom

Band: 77 (1999)

Heft: 3

Artikel: Optical frequency domain reflectometer for characterization of optical networks and devices

Autor: Huttner, Bruno / Gisin, Bernard / Guinnard, Oliver

DOI: <https://doi.org/10.5169/seals-877005>

Nutzungsbedingungen

Die ETH-Bibliothek ist die Anbieterin der digitalisierten Zeitschriften. Sie besitzt keine Urheberrechte an den Zeitschriften und ist nicht verantwortlich für deren Inhalte. Die Rechte liegen in der Regel bei den Herausgebern beziehungsweise den externen Rechteinhabern. [Siehe Rechtliche Hinweise.](#)

Conditions d'utilisation

L'ETH Library est le fournisseur des revues numérisées. Elle ne détient aucun droit d'auteur sur les revues et n'est pas responsable de leur contenu. En règle générale, les droits sont détenus par les éditeurs ou les détenteurs de droits externes. [Voir Informations légales.](#)

Terms of use

The ETH Library is the provider of the digitised journals. It does not own any copyrights to the journals and is not responsible for their content. The rights usually lie with the publishers or the external rights holders. [See Legal notice.](#)

Download PDF: 31.03.2025

ETH-Bibliothek Zürich, E-Periodica, <https://www.e-periodica.ch>

Optical Frequency Domain Reflectometer for Characterization of Optical Networks and Devices

We have developed the first prototype of an optical frequency domain reflectometer. This instrument is designed to measure backreflections from optical networks with great precision and sensitivity. Here, we will present the principle of the instrument and some applications.

Optical Frequency Domain Reflectometry is a new technique, designed to measure backreflections from optical fiber networks and components [1]. Within the frame-

BRUNO HUTTNER, BERNARD GISIN, OLIVIER GUINNARD AND NICOLAS GISIN, GENEVA, ROGERIO PASSY AND JEAN-PIERRE VON DER WEID, RIO DE JANEIRO

work of the European ACTS Broadband Lightwave Sources and Systems (BLISS) project, a first prototype of an Optical Frequency Domain Reflectometer (OFDR) has been developed. The main advantages of the OFDR with respect to the more standard Optical Time Domain Reflectometer (OTDR) are the higher spatial resolution and sensitivity. The spatial range, however, is limited to about 80 meters. In this paper, we will first present the principle of the technique and give the properties of our prototype. We will then turn to potential applications of the technique for characterization of optical fiber networks and devices.

Principle of the OFDR

The principle of the OFDR, as implemented in the GAP-Optique prototype, is shown in Fig. 1. Backreflections from the Device Under Test (DUT) beat with a fixed Fresnel reflection, the Local Oscillator (LO), and are detected on the photodiode. The laser optical frequency is swept, as shown in Fig. 1, so that reflections from points at different distances in the DUT correspond to different beat frequencies on the detector. The signal is Fourier transformed, and analyzed in the frequency domain. Each frequency

thus corresponds to a distance (in contrast to the OTDR, where the time when the signal is detected corresponds to a distance). Our prototype is presented in Fig. 2. The OFDR box proper comprises a DFB laser, the optical system (coupler and detector), and all the driving electronics. It is connected to a PC, which performs the Fourier Transform and signal processing. The characteristics of the prototype are as follows:

- Range: Since the signal is obtained from an interference between the DUT and the LO, the range is limited by the coherence of the laser. The present DFB laser has a line-width of about one MHz over the whole tuning range, which gives a spatial range of about 80 m (depending on the strength of the reflections). Increasing the range is possible, but would require a tunable laser with smaller line-width.

- Sensitivity: Due to the coherent detection (interference between a fixed LO and the reflection from the DUT), the sensitivity is very high, above 100 dB, in general [2]. However, strong reflections, even when they are from far away (i.e. further than the coherence length of the laser), generate large background noise, which limits the sensitivity. The OFDR is thus better suited to the measurement of optical networks and devices with low back-reflection levels, below -30 dB. This is not a major limitation anymore, since all recent systems have such a low backreflection.
- Resolution: Here, the limiting factor is the tunability of the laser. The present one is limited to a continuous tuning of about 20 GHz, which gives a resolution of about 1 cm at close range (a few meters), and enlarges at longer range. We plan to increase the resolution by increasing the tuning range.

Applications of the OFDR

The initial applications were essentially in the detection of discrete reflections,

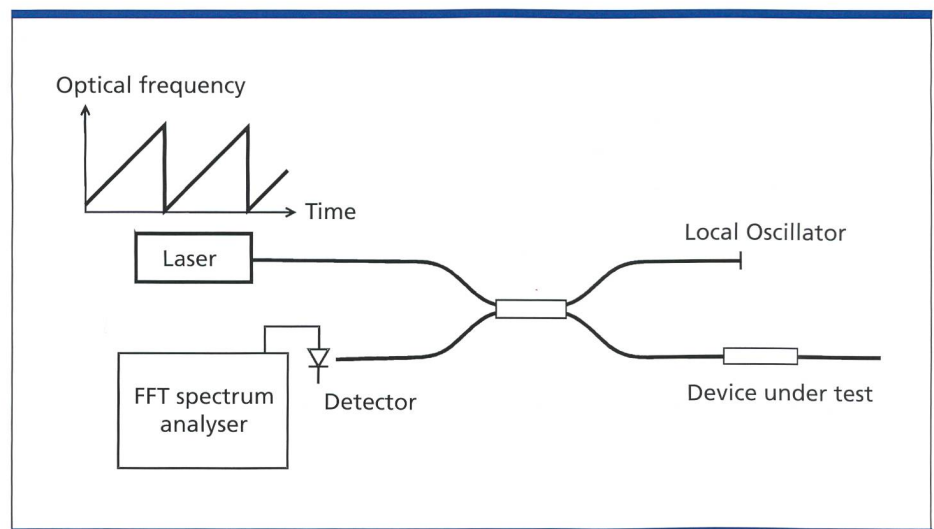


Fig. 1. Principle of the OFDR. The OFDR is based on coherent detection of the signal reflected from the Device Under Test interfering with a fixed reflection, the Local Oscillator. The laser frequency is swept linearly in time, so that the beat frequency between the two reflections is proportional to the distance between the LO and the reflection point. The Fourier Transform of the detected signal thus allows visualization of multiple reflections.

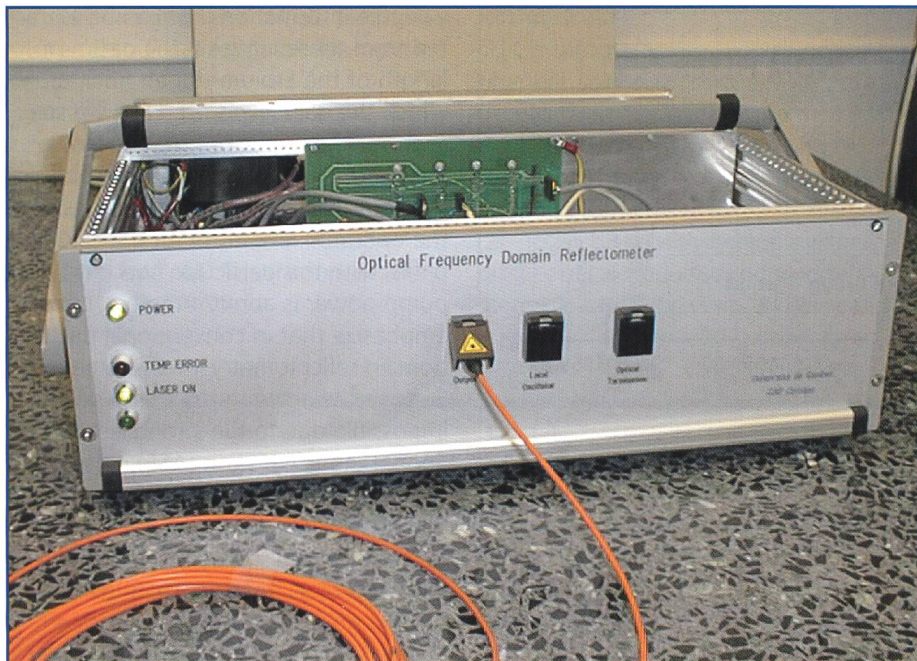


Fig. 2. The Prototype. The OFDR box contains all the optical system and the control electronics. It is linked to a PC, which performs the FFT's and the signal processing.

such as the ones created by splices, connections or defects in the fibers (Fig. 3). The OFDR can also measure the reflections from optical elements. We show here a wavelength division multiplexed (WDM) filter as an example (Fig. 4) [3]. In addition, we discovered that the instrument is also very good at detecting distributed reflections. For example, we measured the distributed loss and gain in Erbium-doped fibers (Fig. 5), [4], and the distributed birefringence in optical fibers (Fig. 6), [5]. We now believe that this type of distributed measurements may become the main application for our instrument. To exemplify the potential of the OFDR for measuring backreflections, we show in Figure 3 the trace obtained with a single mechanical splice connecting two pieces of fibers. We clearly see the reflection from the splice, followed by the one created by the end of the fiber. The flat sections correspond to the Rayleigh backscattering of the fiber. The slope is not due to the attenuation in the fiber, but rather to the finite coherence length of the laser. The step created in the splice corresponds to a coupling loss of 0.6 dB (seen as a 1.2 step, due to the double pass of the light). Another interesting possibility is to measure optical devices inserted into a network. We show the example of a WDM filter (Bragg grating) in Figure 4, [3]. In dense WDM optical networks, where channel separation

may be smaller than 200 GHz, it is desirable to have narrow flattop filters, with sidelobes as small as possible, in order to minimize the crosstalk between neighboring channels. Therefore, accurate characterization of

the device reflectivity as a function of the wavelength is required. The OFDR is well suited to this type of measurement, since it has both spatial and frequency resolution. Spatial resolution is obtained with a standard configuration as in Figure 3.

It allows the measurement of the back-reflection coming from the filter itself, even if it is preceded or followed by other optical elements. The frequency resolution is obtained by scanning the central frequency of the laser by temperature tuning. We managed to get an excursion of 2.5 nm, which is sufficient to see both the flat top of the filter (Fig. 4a) and the reflectivity at the first neighboring channel (Fig. 4b).

In addition to these discrete reflections, we also used the OFDR to measure distributed reflections from optical fibers. The first example, shown in Figure 5, measures the distributed gain of an Erbium-doped fiber [4]. This fiber is coupled to a pump at 980 nm through a WDM coupler. The various curves represent the backreflection for different values of the pump power. We see clearly the initial absorption, for zero pump power, which is replaced by gain as the pump power increases. The most

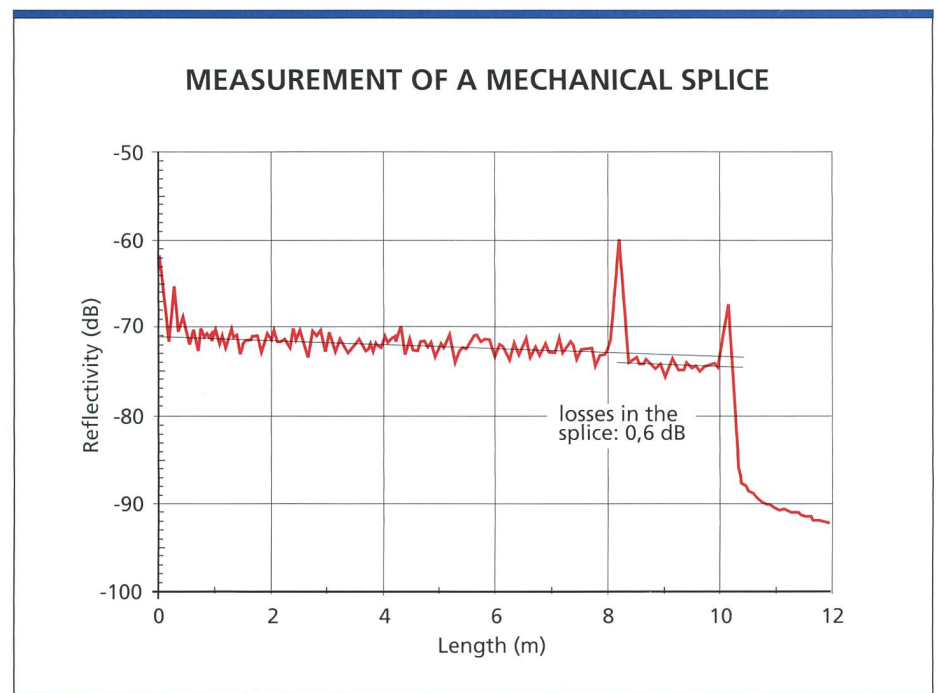


Fig. 3. Measurement of a mechanical splice. This trace shows the signal coming from two fiber trunks, connected by a mechanical splice. We see clearly the two discrete reflections coming from the splice and the end of the fiber, and separated by the Rayleigh backscattering. The jump in the Rayleigh backscattering is caused by the coupling loss in the splice: 0.6 dB (translated into 1.2 dB in the trace, due to the double passage of the reflected light through the splice).

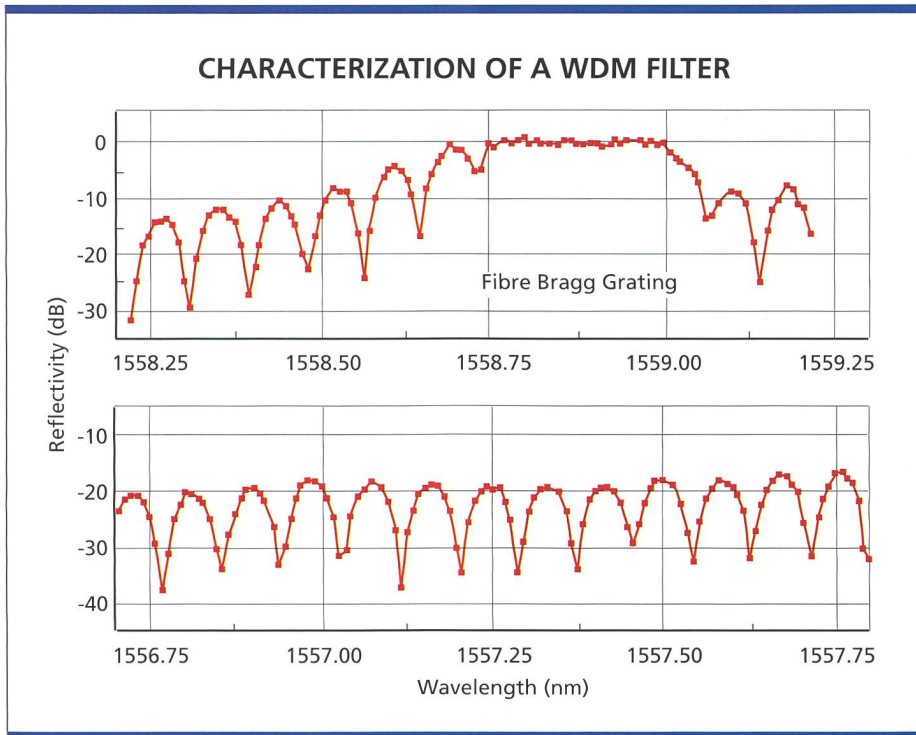


Fig. 4. Characterization of a WDM filter. These two graphs give the reflectivity of a WDM add/drop filter, built from a fiber Bragg grating. (a) shows the in-channel reflectivity, which has a flattop and low side lobes. (b) represents the first neighboring channel, with a crosstalk below 20 dB. Each square and diamond on these curves represent one OFDR scan. Points corresponding to the various frequencies were obtained by tuning the laser temperature between each scan.

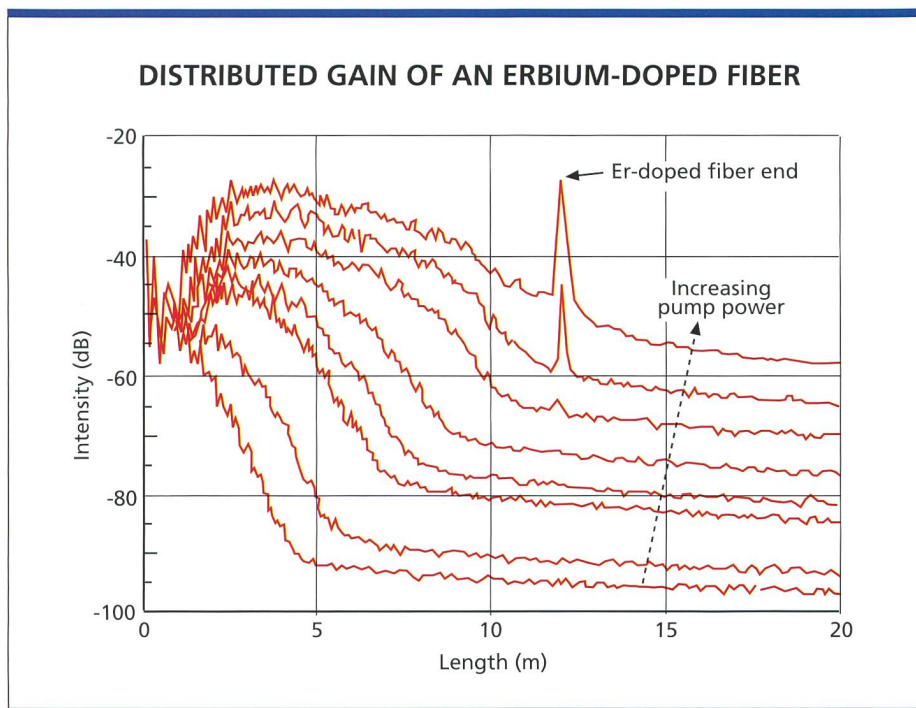


Fig. 5. Distributed Gain of an Erbium-Doped Fiber. A pump laser at 980 nm is coupled to the Erbium-doped fiber through a WDM coupler. The various curves represent different pump powers. We see clearly the attenuation of the Er fiber at low pump powers, and the gain at higher powers. Moreover, we also see gain saturation after about 4 m of Er fiber, due to the pump absorption. The final reflection is created by the endface of the fiber.

valuable information that can be extracted from these curves is the optimum length of the Erbium-doped fiber, after which the gain levels off. Here we see that, for the highest pump power, the gain flattens at about 4 meters, and then starts to decrease. This shows that the optimum length for an optical amplifier with this particular fiber and pump power is about 4 meters. Let us emphasize that in conventional time-domain reflectometry, measurements of Er-doped fibers with the pump on are impossible due to the strong Amplified Spontaneous Emission (ASE) noise. Here, since we are using a coherent detection, the ASE noise, which is not coherent with the signal, is simply not seen except as an increase in the background noise. This can be seen clearly in Figure 5. The only alternative to measure the distributed gain in Er-doped fibers is to use the cutback method, which is a destructive measurement. As a final example, we present in Figure 6 a measurement of the distributed birefringence in a single-mode fiber [5]. Since the OFDR signal is created by interference between the backreflected signal and the LO, it is naturally sensitive to their relative polarization. For most applications, this sensitivity is a nuisance, and has to be removed. In our instrument, we use a polarization scrambler to average out the polarization [6]. However, in some cases, this polarization sensitivity can be useful. In a birefringent fiber, the polarization of the light rotates around the birefringence axis as the light propagates down the fiber. The periodicity of the rotation is known as the beat length, and is an important parameter for characterizing the fiber. In an OFDR trace, as shown in Figure 6, this rotation of the polarization is translated into oscillations in the detected Rayleigh backscattering. The period of these oscillations gives the polarization beat length of the fiber under test.

Conclusions

The participation of GAP-Optique in the ACTS project BLISS was quite successful. With the help of the BLISS partners, we built a prototype of the OFDR, fulfilling the expected specifications. During the work, we also discovered interesting new applications, especially in the important field of distributed measurements. GAP-Optique is now considering building a second prototype with impro-

ved specifications. This should lead to future commercialization of this instrument.

Acknowledgements

This work was supported by Swiss CTI Project 3160.1, by the Swiss OFES under the European ACTS project AC065-BLISS, and by CpqD Telebras under the contract JPqD 779/97.

References

- [1] On the characterization of optical-fiber network components with optical-frequency domain reflectometry, J.P von der Weid, R. Passy, G. Mussi and N. Gisin, J. of Lightwave Technology 15, p. 1131 (1997).
- [2] -152.5 dB sensitivity high dynamic range optical-frequency domain reflectometry, G. Mussi, N. Gisin, R. Passy and

- J.P von der Weid, Electronics Letts 32, p. 926 (1996).
- [3] Return loss measurements of WDM filters with tunable coherent optical-frequency domain reflectometry, J.P von der Weid, R. Passy, A.O. Dal Forno, B. Huttner and N. Gisin, IEEE Photonics Technology Letts 9, p. 1997 (1997).
- [4] Coherent reflectometry of optical-fiber amplifiers, J.P von der Weid, R. Passy and N. Gisin, IEEE Photonics Technology Letts 9, p. 1253 (1997).
- [5] Local birefringence measurements in single mode fibers with coherent optical-frequency domain reflectometry, B. Huttner, J. Reecht, N. Gisin, R. Passy and J.P von der Weid, IEEE Photonics Technology Letts 10, p.1458 (1998).
- [6] Polarization effects in coherent optical-frequency-domain reflectometry, G. Mussi, P. Stamp, N. Gisin, R. Passy and J.P von der Weid, IEEE Photonics Technology Letts 8, p.1513 (1996).

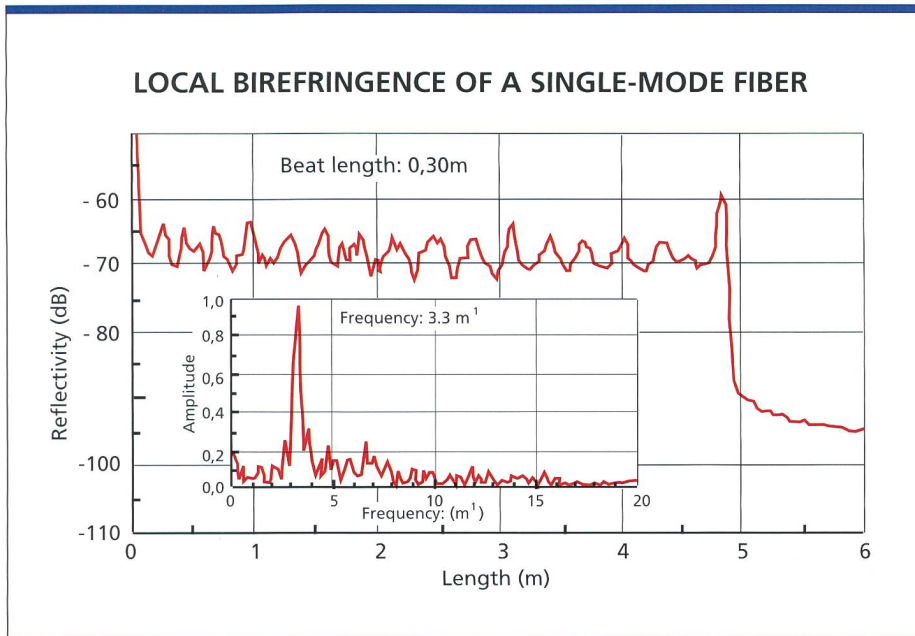


Fig. 6. Local Birefringence of a Single-Mode Fiber. The OFDR is naturally sensitive to polarization. Here we see the polarization rotating along the birefringence axis of the fiber. The period of the rotation, known as the beat length, is obtained by a Fourier Transform of the main curve (inset).

Zusammenfassung

Optisches Frequenzbereichs-Reflektometer zur Charakterisierung optischer Netze und Geräte

Die optische Frequenzbereichs-Reflektometrie ist ein neues Verfahren zur Messung von Rückstrahlungen von Lichtleiternetzen und -Komponenten. Im Rahmen des europäischen ACTS-Projekts BLISS (Broadband Lightwave Sources and Systems) wurde ein erster Prototyp eines optischen Frequenzbereichs-Reflektometers (OFDR) entwickelt. Die Hauptvorteile des OFDR gegenüber dem üblicheren optischen Zeit-Bezirk-Reflektometer (OTDR) sind die höhere räumliche Auflösung und Empfindlichkeit. Der räumliche Bereich ist jedoch auf ungefähr 80 Meter begrenzt. In dieser Arbeit stellen wir zuerst das Prinzip der Technik vor und führen die Eigenschaften unseres Prototyps auf. Dann wenden wir uns möglichen Anwendungen der Technik zur Charakterisierung von Lichtleiternetzen und -Geräten zu.

Dr. Bruno Huttner is the leader of the telecom research subgroup, in the group led by **Prof. Nicolas Gisin**, GAP-Optique. **Bernard Gisin** is the computer scientist and **Olivier Guinnard**, the electronic specialist, who were directly responsible for the construction the OFDR prototype. The telecom subgroup is mainly concerned with the development of instrumentation and the study of optical fibers and optical components for telecom. **Rogério Passy** and **Jean-Pierre von der Weid**, Center for Telecommunication Studies Pontificia Universidade Catolica do Rio de Janeiro, Brazil.