

Zeitschrift: Eclogae Geologicae Helvetiae
Herausgeber: Schweizerische Geologische Gesellschaft
Band: 63 (1970)
Heft: 1: Geochronology of phanerozoic orogenic belts : papers presented at the "Colloquium on the Geochronology of Phanerozoic Orogenic Belts"

Artikel: Nondestructive determination of Uranium and Thorium in accessory minerals by gamma ray spectrometry
Autor: Rybach, Ladislaus / Grauert, Borwin / Labhart, Toni P.
DOI: <https://doi.org/10.5169/seals-163841>

Nutzungsbedingungen

Die ETH-Bibliothek ist die Anbieterin der digitalisierten Zeitschriften. Sie besitzt keine Urheberrechte an den Zeitschriften und ist nicht verantwortlich für deren Inhalte. Die Rechte liegen in der Regel bei den Herausgebern beziehungsweise den externen Rechteinhabern. [Siehe Rechtliche Hinweise.](#)

Conditions d'utilisation

L'ETH Library est le fournisseur des revues numérisées. Elle ne détient aucun droit d'auteur sur les revues et n'est pas responsable de leur contenu. En règle générale, les droits sont détenus par les éditeurs ou les détenteurs de droits externes. [Voir Informations légales.](#)

Terms of use

The ETH Library is the provider of the digitised journals. It does not own any copyrights to the journals and is not responsible for their content. The rights usually lie with the publishers or the external rights holders. [See Legal notice.](#)

Download PDF: 02.04.2025

ETH-Bibliothek Zürich, E-Periodica, <https://www.e-periodica.ch>

Nondestructive Determination of Uranium and Thorium in Accessory Minerals by Gamma Ray Spectrometry

by LADISLAUS RYBACH¹⁾, BORWIN GRAUERT¹⁾ and TONI P. LABHART²⁾

ABSTRACT

Sample preparation as well as mass-spectrometric analysis is greatly facilitated if the uranium and thorium content of the mineral concentrates to be dated is known. Standardized trays with mylar foil bottom are used to place the samples on the top surface of a 3" × 3" NaI crystal for measurement (sample mass requirement: 0.1–1 gm). Gamma ray spectra are obtained by gain-stabilized multi-channel equipment on punched tape output. Uranium and thorium concentrations are computed by a least squares programme using standard reference spectra. Once the standard and background spectra are established, the analysis can be performed routinely on same mineral concentrates which go subsequently to mass-spectrometry. Zircon, sphene, monazite, epidote/allanite and apatite fractions have been analyzed. Counting times ranged from 40 minutes to 20 hours to obtain a precision better than 15%.

Introduction

Preliminary determinations of the uranium and thorium content of accessory mineral concentrates used for age determination are of considerable help in preparing the samples as well as for their subsequent mass-spectrometric analysis.

The knowledge of approximate U and Th concentrations allows a rough calculation of the radiogenic Pb for an estimated U/Pb or Th/Pb age. This in turn enables the evaluation of the minimum mineral quantity which is necessary for a given analytical procedure. In cases where hand-picking must be applied for the final purity, much time can be saved.

For the mass-spectrometric U and Th analyses, the spikes can be prepared according to the concentration ranges to be expected.

Since its introduction to geochemistry about 12 years ago (HURLEY, 1956; ADAMS et al., 1958), gamma ray spectrometry of the natural radioisotopes became a widely used analytical tool. The determination of "whole rock" U and Th abundances is performed by measuring the gamma radiation from members of the U²³⁸ and Th²³² series (mainly Bi²¹⁴ and, Tl²⁰⁸, respectively) by standard scintillation spectrometry. In most cases the assumption of radioactive equilibrium was found to be valid.

One of the major advantages of this method is that the analysis can be performed *nondestructively*. In the case of accessory mineral concentrates the same sample is analyzed for U and Th which then is used for chemical and mass-spectrometric analysis.

¹⁾ Institut für Kristallographie und Petrographie, Eidgenössische Technische Hochschule, 8006 Zürich (Switzerland).

²⁾ Mineralogisch-petrographisches Institut der Universität, 3012 Bern (Switzerland).

Experimental

The radiation detector used is equipped with a standard 3" × 3" NaI(Tl) crystal. The mineral concentrates (for mineral separation see Appendix) were placed on the top surface of the detector. The sample tray used is shown in Fig. 1. In this sample position the geometry and self-absorption effects due to changing sample mass are negligible (KÖHLER, 1968). Sample and detector are surrounded by 5" lead to reduce background radiation.

The gamma ray spectra were measured with a NUCLEAR DATA 128-channel pulse height analyser and were registered on punched paper tape (TALLY tape perforator). Since the data evaluation method described below is strongly influenced by gain changes, drift stabilisation is indispensable. Different spectrum stabilizers are now commercially available (e. g. Borer & Co., Solothurn, see COMUNETTI, 1965).

Generally 1 gm material was filled into the sample container. The sample weight could be reduced down to about 0.1 gm. Samples and standards (0.1% U and 0.1% Th from the USAEC New Brunswick Laboratory) were measured under same experimental conditions. Counting times ranged from 40 minutes to 20 hours; the effect of the counting time on the precision of the results is discussed below.

Integral alpha measurements, which give a rough estimate of the radioisotope contents (no uranium-thorium separation is possible), have been performed with a gas flow detector (Nuclear Measurements Co., Indianapolis, USA) driven at 1000 V. The high voltage was supplied by an ELB 2.1 counter (Landis & Gyr AG, Zug, Switzerland). $3 - 10 \cdot 10^3$ counts have been accumulated per sample.

The x-ray fluorescence determination has been carried out by the ANALIX SA. (Geneva). For details see HÜGI et al. (1967). The fluorimetric determinations were based on the procedure used by the Commissariat à l'Énergie Atomique (Saclay, France).

Data reduction

For quantitative data reduction the background must be subtracted. Most data reduction methods are based on the comparison with standards. In a composite spectrum, photopeaks are characteristic of the corresponding radionuclides. In simple cases where photopeaks are superimposed on a "smooth", horizontal continuum the method of COVELL (1959) can be applied. The spectrum of an accessory mineral

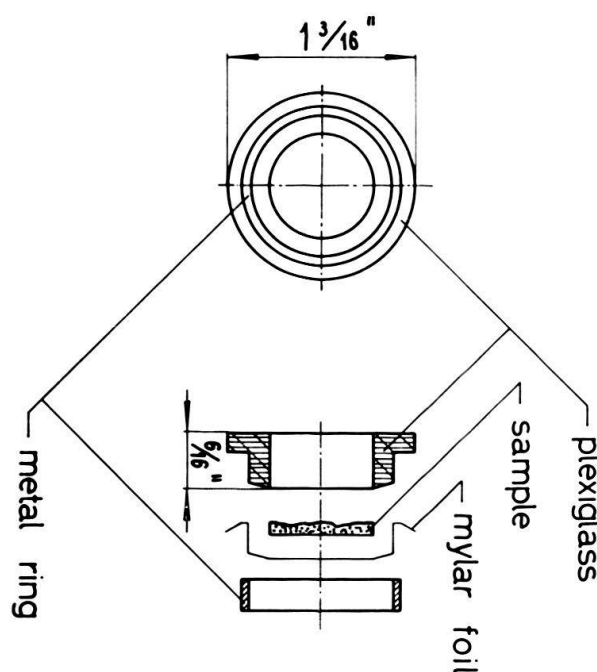


Fig. 1. Sample holder for mineral powders.

sample measured under the experimental conditions described above is, however, of complex nature (Fig. 2). Such a spectrum represents the linear sum of the contributions from the uranium and thorium series (the potassium content is negligible in minerals used for age dating by U/Pb methods).

The easiest way to take the two different contributions into consideration is the “stripping” in regions of characteristic photopeaks (2.62 Mev Tl^{208} for Th, 1.76 Mev Bi^{214} for U). This method gives relatively accurate results ($\pm 10 - 30\%$) and does not require too much calculation³⁾, i.e. solving 2 linear equations for 2 unknowns. But on the other hand it utilizes only a *fraction* ($< 20\%$) of the information held by the recorded “multichannel” spectrum which therefore must be measured with a relatively high statistical accuracy for long counting times.

The spectra measured by multichannel analyzers and the availability of computers offer an excellent opportunity for the application of *least squares* methods. This type of analysis which is widely used in activation analysis, after its introduction by MOORE and ZEIGLER (1959), can be extended to the *whole* spectrum.

Let us define the following symbols:

- n = number of channels used,
- a_i = count rate of the U standard in channel i (cpm),
- b_i = count rate of the Th standard in channel i (cpm),
- c_i = count rate of the sample in channel i (cpm),
- v_i = a random error,
- m_U = U in the sample (gm),
- m_{Th} = Th in the sample (gm),
- M_U = U in the U standard (gm),
- M_{Th} = Th in the Th standard (gm),
- x = the ratio m_U/M_U ,
- y = the ratio m_{Th}/M_{Th} ,
- σ_x, σ_y = the corresponding standard deviations,
- W = sample weight (gm).

Due to the linear superposition of the U and Th contributions (Fig. 2) we can write for each channel:

$$c_i = a_i x + b_i y + v_i \tag{1}$$

Having n such equations ($i = 1, 2 \dots n$) for only two unknowns (x and y) the application of the least squares method means the determination of the “best values” for x and y in the sense of

$$\sum_{i=1}^n v_i^2 = \sum_{i=1}^n [c_i - (a_i x + b_i y)]^2 = \text{minimum} , \tag{2}$$

from which the normal equations (4) can be obtained by setting

$$\frac{\partial \sum v_i^2}{\partial x} = \frac{\partial \sum v_i^2}{\partial y} = 0 \tag{3}$$

³⁾ KÖHLER (1968) used a simple graphical solution to handle data of zircon measurements obtained by single channel spectrometry.

$$\left. \begin{aligned} x \sum_{i=1}^n a_i^2 + y \sum_{i=1}^n a_i b_i &= \sum_{i=1}^n a_i c_i \\ x \sum_{i=1}^n a_i b_i + y \sum_{i=1}^n b_i^2 &= \sum_{i=1}^n b_i c_i \end{aligned} \right\} \quad (4)$$

The matrix solution gives the values of x and y :

$$\text{With} \quad D = \sum_{i=1}^n a_i^2 \sum_{i=1}^n b_i^2 - \left(\sum_{i=1}^n a_i b_i \right)^2 \quad (5)$$

$$\left. \begin{aligned} x &= (1/D) \left[\sum_{i=1}^n a_i c_i \sum_{i=1}^n b_i^2 - \sum_{i=1}^n a_i b_i \sum_{i=1}^n b_i c_i \right] \\ y &= (1/D) \left[\sum_{i=1}^n a_i^2 \sum_{i=1}^n b_i c_i - \sum_{i=1}^n a_i b_i \sum_{i=1}^n a_i c_i \right] \end{aligned} \right\} \quad (6)$$

with which the "best fit" (Fig. 3) can be computed:

$$c'_i = a_i x + b_i y \quad (7)$$

With

$$\mu = \pm \left[\frac{1}{n-2} \sum_{i=1}^n (c'_i - c_i)^2 \right]^{1/2} \quad (8)$$

the standard deviations of the unknowns are

$$\sigma_x = \pm \mu \left(\sum_{i=1}^n b_i^2 / D \right)^{1/2}, \quad \sigma_y = \pm \mu \left(\sum_{i=1}^n a_i^2 / D \right)^{1/2} \quad (9)$$

Finally we obtain the uranium and thorium concentrations in the sample:

$$\text{ppm U} = 10^6(x \pm \sigma_x) M_U/W, \quad \text{ppm Th} = 10^6(y \pm \sigma_y) M_{\text{Th}}/W \quad (10)$$

Experimental precautions have been undertaken to fulfil the assumptions necessary for this method: 1) the standard spectra (a_i and b_i) are measured to high statistical accuracies; 2) there is no drift; 3) the background is constant.

Results

The spectra on punched paper tape have been transferred to magnetic tape which serves as the input for a FORTRAN IV programme to calculate the U and Th concentrations, using channels 20 to 120. The data input deck consists of the card sets of a_i and b_i and of the background spectrum. For each sample spectrum a corresponding data card with sample identification, sample weight and counting time is included. The calculations have been performed on a CDC-1604 computer.

For a given sample weight the standard deviations depend on the U concentration and on the Th/U ratio. With increasing counting time the "scatter" of the spectrum

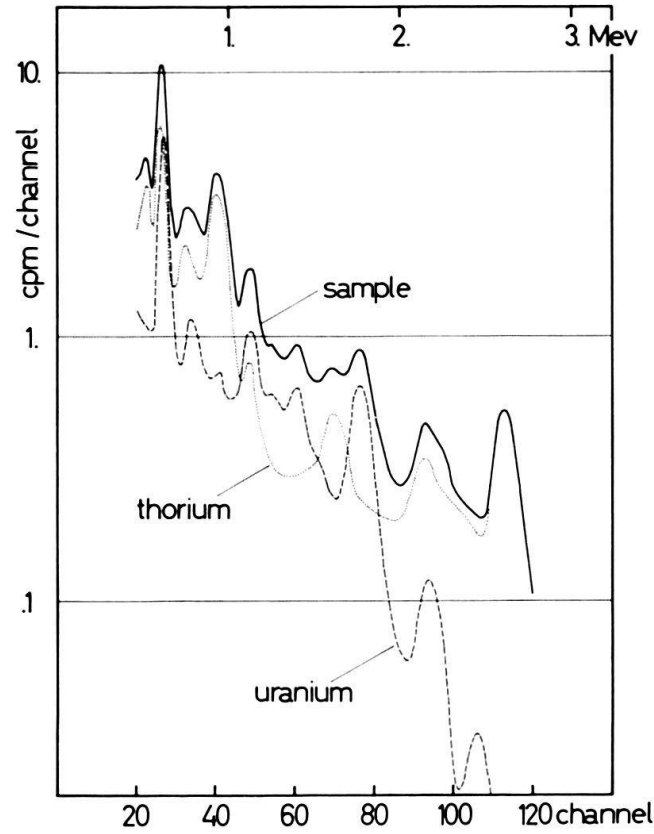


Fig. 2. Typical gamma ray spectrum of an accessory mineral concentrate (solid line) with contributions from the uranium (---) and thorium (.....) content.

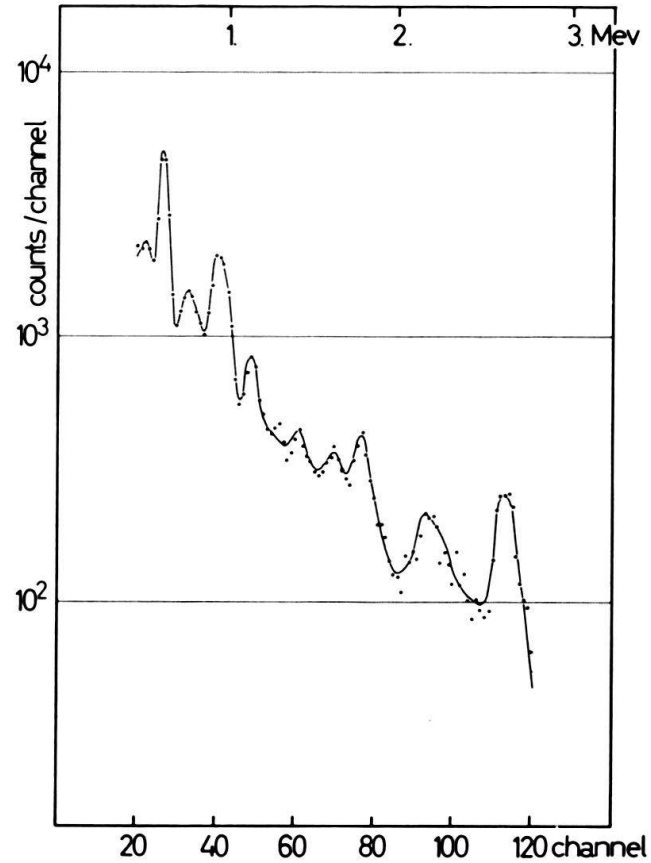


Fig. 3. Measured gamma ray spectrum of an epidote/allanite fraction (Giuve syenite, Switzerland). Dots: counts in 474 minutes (background subtracted), solid line: computed best fit. Sample weight: 1.807 gm.

points decreases (Fig. 4). The standard deviation ($\sigma_U = 100 \sigma_x/x$, $\sigma_{Th} = 100 \sigma_y/y$) vs. counting time (T) graph follow the $T^{-1/2}$ trend (Fig. 5). Counting times have been selected to obtain standard deviations around 5–15%. Detection limit with the present equipment is around 20 μg U and 60 μg Th. This sensitivity can be improved by utilising a well-type NaI crystal for better geometry.

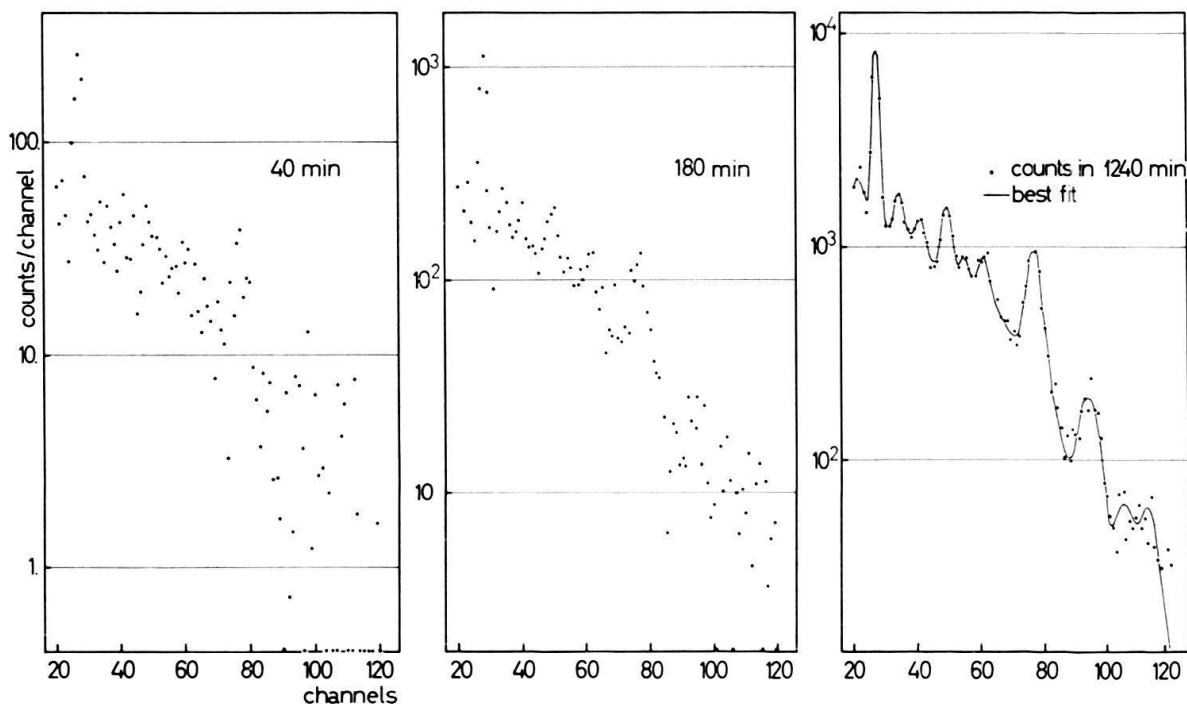


Fig. 4. Measured spectrum and best fit for different counting times. 1.00 gm zircon sample (KAW 233/13) with 550 ppm U, Th/U = 0.29.

Uranium and thorium abundances have been determined in a number of accessory mineral concentrates: in sphene, epidote/allanite, apatite and zircon concentrates from the remarkably radioactive Giuv syenite (Switzerland), in zircon fractions from the Silvretta region and in monazite samples from the Moldanubian area. The results are shown in table 1, together with integral alpha measurements, x-rays fluorescence, fluorimetric and mass-spectrometric determinations. The latter methods give somewhat lower results which could be assigned to the acid treatment before the analysis.

Acknowledgment

We wish to thank Prof. F. de Quervain, Prof. Th. Hügi and the "Arbeitsausschuss für die Untersuchung schweizerischer Mineralien und Gesteine auf Atombrennstoffe und seltene Elemente" for providing the gamma ray spectrometer and the standards. The gamma measurements have been performed at the Institut für Geophysik (Prof. F. Gassmann, Prof. M. Weber), the alpha measurements at the Laboratorium für Geo- und Kosmochronologie (Prof. Grünenfelder, Prof. Signer, Prof. Steiger) of the Swiss Federal Institute of Technology. We thank Miss E. Gatti (Mineralogisch-petrographisches Institut, Universität Bern) for the fluorimetric determinations and Dr. H. Köhler (Heidelberg) for many helpful discussions.

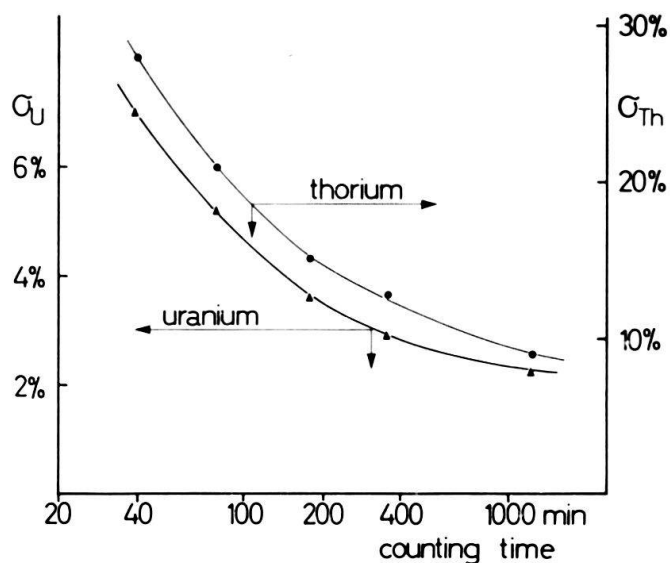


Fig. 5. Standard deviation vs. counting time (same sample as in Fig. 4).

Table I. Uranium and thorium concentrations, Th/U ratios in accessory mineral concentrates. The isotope dilution figures are taken from GRAUERT and ARNOLD (1968).

Sample	γ spectrometry		Th/U	isotope dilution U (ppm)	integral α counting $\alpha/cm^2/h$	fluorimetry U (ppm)	x-ray fluorescence U (ppm)
	U (ppm)	Th (ppm)					
Zircon							
GS 1a	2800	2300	0.82				
KAW 233/11 30-42 μ	630	180	0.29	636	360		
KAW 233/12 42-53 μ	590	150	0.25	571	345		
KAW 233/13 53-75 μ	550	160	0.29	542	312		
Sphene							
GS 1b	570	850	1.50			475	510
Epidote/allanite							
GS 1c	300	1100	3.70			92 ^{a)}	
Apatite							
GS 1d	60	130	2.20			49	
Monazite							
MD 20 42-75 μ	5500	41000	7.50				
MD 25a 42-75 μ	7000	36500	5.20		8600		
MD 25b 75-125 μ	7500	38000	5.10				

^{a)} from new fraction with less allanite.

APPENDIX

Sample description, sample preparation

G1

rock: Giuv syenite (fine-grained border facies), remarkable high radioactivity (ca. 70 μ r/h).

location: 696 875/172 920 (Swiss coordinates), 50 m from the southern border of the syenite mass.

mineral separation: about 180 lb rock material was crushed, ground, sieved and treated on the wet vibrating table according to WÜTHRICH (1965). The heavy mineral concentrate obtained by this means was separated by the magnetic separator described in PETERS and WÜTHRICH (1963) into the following fractions:

zircon: enriched in the most nonmagnetic fraction together with sphene and apatite/epidote; apatite/epidote separated by methyleniodide, sphene by its different adhesiveness on rough porcelain bowl

apatite: from the above apatite/epidote mixture at extremely high field-strength of the magnetic separator

sphene: almost quantitatively from the relatively nonmagnetic zircon-free fraction by sieving out the finer-grained epidote

epidote/allanite: from a fraction containing hornblende, biotite and sphene by magnetic separation and sieving; neither pure nor homogeneous (allanite occurs as irregular inclusions).

KAW 233

all details are given in GRAUERT and ARNOLD (1968).

MD 20

rock: paragneiss-metatexit

location: quarry "am Eck" (sheet Kötzing, Bavarian Forest) 700 m SE of the pass on the road to Arnbruck

mineral separation: same as for KAW 233.

monazite: from the zircon fraction by magnetic separation and hand-picking.

MD 25

rock: perlgneiss.

location: quarry at the "Ruselabsatz" (sheet Lalling, Bavarian Forest) 1.5 km W of Hotel Rusel on the Bundesstrasse 11.

mineral separation: same as for MD 20.

REFERENCES

- ADAMS, J. A. S., RICHARDSON, J. E. and TEMPLETON, C. C. (1958): *Determinations of Thorium and Uranium in Sedimentary Rocks by Two Independent Methods*. *Geochim. & Cosmochim. Acta* 13, 270–279.
- COMUNETTI, A. M. (1965): *A New Gain Stabilizing System for Scintillation Spectrometry*. *Nucl. Instr. Meth.* 37, 125–134.
- COVELL, D. F. (1959): *Determination of Gamma-ray Abundances Directly from the Total Absorption Peak*. *Anal. Chem.* 31, 1785–1790.
- GRAUERT, B. and ARNOLD, A. (1968): *Deutung diskordanter Zirkonalter der Silvrettadecke und des Gotthardmassivs (Schweizer Alpen)*. *Contr. Mineral. Petrol.* 20, 34–56.
- HURLEY, P. M. (1956): *Direct Radiometric Measurement by Gamma-ray Scintillation Spectrometer*. *Bull. Geol. Soc. America* 67, 395–412.
- HÜGI, TH., KÖPPEL, V., DE QUERVAIN, F. und RICKENBACH, E. (1967): *Die Uranvererzungen bei Isérables (Wallis)*. *Beitr. Geol. Schweiz, Geotechn. Serie, Liefg.* 42.
- KÖHLER, H. (1968): *Über Zirkone moldanubischer Granite*. Ph. D. thesis, Ludwig Maximilians-Universität München (Germany).
- MOORE, R. H. and ZEIGLER, R. K. (1959): *The Solution of the General Least Squares Problem with Special Reference to High-speed Computers*. Los Alamos Scientific Lab., New Mexico, Rpt. LA-2367.
- PETERS, TJ. und WÜTHRICH, H. (1963): *Magnetische Trennung von Tonmineralien*. *Eclogae geol. Helv.* 56, 113–117.
- WÜTHRICH, H. (1965): *Rb-Sr-Altersbestimmungen am alpin überprägten Aarmassiv*. *Schweiz. miner. petrogr. Mitt.* 45, 875–971.