

Zeitschrift: The Swiss observer : the journal of the Federation of Swiss Societies in the UK

Herausgeber: Federation of Swiss Societies in the United Kingdom

Band: - (1972)

Heft: 1644

Rubrik: Swiss events

Nutzungsbedingungen

Die ETH-Bibliothek ist die Anbieterin der digitalisierten Zeitschriften. Sie besitzt keine Urheberrechte an den Zeitschriften und ist nicht verantwortlich für deren Inhalte. Die Rechte liegen in der Regel bei den Herausgebern beziehungsweise den externen Rechteinhabern. [Siehe Rechtliche Hinweise.](#)

Conditions d'utilisation

L'ETH Library est le fournisseur des revues numérisées. Elle ne détient aucun droit d'auteur sur les revues et n'est pas responsable de leur contenu. En règle générale, les droits sont détenus par les éditeurs ou les détenteurs de droits externes. [Voir Informations légales.](#)

Terms of use

The ETH Library is the provider of the digitised journals. It does not own any copyrights to the journals and is not responsible for their content. The rights usually lie with the publishers or the external rights holders. [See Legal notice.](#)

Download PDF: 26.11.2024

ETH-Bibliothek Zürich, E-Periodica, <https://www.e-periodica.ch>

The Swiss Observer

Published Twice Monthly at
63/67 TABERNACLE STREET
LONDON E.C.2
Tel: 01-253 2321

Telegrams: Paperwysse London
HON. PRESIDENT: Robert J. Keller
HON. VICE-PRESIDENT:
Gottfried Keller

EDITOR: Pierre-Michel Béguin
Advisory Council:
F. Burri (Chairman)

Dr. C. Jagmetti (Vice-Chairman)
O. F. Boehringer, J.P., (Hon. Sec.)
J. Eusebio, A. Kunz, R. M. Suess,
B. Simon, B. Feller, Mrs. M. Meier

PREPAID SUBSCRIPTION RATES
(POST FREE)

UNITED KINGDOM
24 issues £2.40
12 issues £1.25
6 issues £0.65

SWITZERLAND and elsewhere
12 issues Frs. 13—or £1.30
12 issues Frs. 25—or £2.50

Swiss subscriptions may be paid into
Postcheck Konto Basle 40—5718

Editor's telephone: 01-602 1378

spin-off from arms development is negligible. Switzerland presently sells about £7 million worth of arms to developing countries. This places her way behind Britain, France and America in absolute figures but in second world position (after Britain) in terms of the sales/PNB ratio.

It is furthermore claimed that "to argue that arms exports help the Army to reduce its expenditures is tantamount to saying that our defence is

financed with the help of foreign countries, particularly developing countries." The document says that the Government's counter-proposals entail nothing more than strengthening existing controls and adds that the current initiative is "a practical effort at eliminating the scandal of arms exports which have been the subject of thirty parliamentary interventions since the end of the war".

(PMB)

SWISS EVENTS

COMMENT

THE ARMS EXPORT CONTROVERSY

The three-year-old controversy over the arms ban initiative proves how statistics can be handled to support conflicting arguments. In a study published by the Swiss Society for Military Studies, a General Staff officer, Captain Dominique Brunner, set out to develop a set of arguments against the current arms ban initiative, which would like to ban Swiss arms exports to all countries with the exception of neutral European nations. His main arguments are that by curtailing her market, Switzerland's arms industry will lose the advantages of economies of scale. The cost of home-made weapons would thus increase by 30 million to 50 million francs. Growing imports would have a negative effect on the balance of payments, bringing Switzerland's balance of trade deeper in the red by 500 million francs a year.

The promoters of the initiative have published a counter-document in which they point out that three quarters of the country's military equipment are already imported. It adds that only 30 per cent of Buehrle's turnover actually relied on arms. With SIG of Neuhausen, the Buehrle group of companies is responsible for four-fifths of Swiss arms exports. The sponsors of the initiative also stress that any loss of arms business would be readily replaced by increased machine tool production, this being a field actually where industry is stretched to the limit and where the technological

FEDERAL

Mr. Nello Celio's 1st August speech

In his 1st August speech to the country, Mr. Nello Celio, President of the Confederation for 1972, laid particular emphasis on the fight against inflation and appealed to every Swiss to feel responsible for the future of their country. "If we consider Switzerland's present situation, we have to recognise that our standard of living is surpassed by very few other countries. We are one of the most favoured nations in the world today, but we should not try to ignore the continuing problems resulting from the co-existence among us of communities with differing origins, character and interests. These problems may even have grown in complexity. Furthermore, our continuing material blessings tend to make many of us believe that this welfare is a gift from heaven and that work and perseverance belong to another age. The contempt in which we hold the elementary laws of existence could prepare for a bleak future".

Mr. Celio also referred to recent outbursts of violence. He deplored "the acts of violence committed by some of our citizens in the recent past."

"The Federal Council is deeply aware of the need for change in several areas of society and for reforms in our institutions. But it will defend the democratic rights and civic liberties with utmost energy and make sure that all our efforts strive towards the present and future preservation of our country".

Speaking of the future, Mr. Celio said that man never tiring of his

achievements, had played the Sorcerers Apprentice with his environment. He said that problems were no longer circumscribed by national boundaries and that the duty of Switzerland as a whole was to remain open to the world and concerned with international institutions.

Having raised the problem of inflation and its nuisance to cantons and communes, Mr. Celio ended his address by saying that "the State and its citizens cannot live off material satisfactions alone. The value of a society may not be measured only in terms of progress and technology. One should not only be realistic, that is, know what is possible and what is not, but one should also be a spiritual being, refusing to be exclusively attached to material values and unable to find inner peace".

European Security Conference

Switzerland intends to have a say at the planned European Security Conference. Ambassador Ernesto Thalmann, General Secretary of the Political Department said in an interview to the "Aargauer Tagblatt" after returning from a journey to six eastern European countries, that Switzerland would press for a system of solving differences between nations. This system might prove more efficient than the UN Security Council. He added that Switzerland would not disavow its neutral policy in taking part in such a conference, because it would not be tied to any of the power groups represented.

Timothy Leary told to leave Switzerland

Professor Timothy Leary, the ex-Harvard don known as the "Apostle of LSD", has been told by the Federal authorities to leave Switzerland by 31st August. Serving a ten year sentence on drugs charges, Timothy Leary had escaped in 1970 from his Californian jail and fled to Algeria, where he had lived for a while with Eldridge Cleaver and his Black Panthers.

He arrived in Switzerland last year, where he was arrested, then released a short while later. He was allowed to live in Villard (Vaud) but was told to report regularly to the police. An American extradition demand had been turned down by the Federal authorities, but the Department of Justice and Police refused to accept his appeal against an earlier expulsion order, compelling him to leave Switzerland by 10th June last.

Timothy Leary, a psychologist, is known in America for his research on the effects of drugs and for his personal ethics, which consist in revealing by all available means "the unbelievable energies within us". He founded the "Psychedelic Review" and the League for Spiritual Development (LSD). Among his books, the best known is "The policy of extasy".

"Unemployment"

There were 63 registered unemployed persons in Switzerland at the end of July, compared with 53 at the same time in 1971. Set against this, there were 5,236 officially recorded vacancies.

Siting power stations

Mr. Roger Bonvin, Head of the Federal Transport, Energy and Communication Department and Mr. Hans Peter Tschudi, Head of the Department of the Interior, received a delegation from the Great Council of Basle-Country. This delegation was conveying to Berne a request by the legislative of their half-canton that a federal planning committee should be set up to make recommendations for the location of future nuclear power stations. They want Switzerland's future nuclear map to be planned at national level with all the expertise required by a country that must be careful to preserve its breathing space.

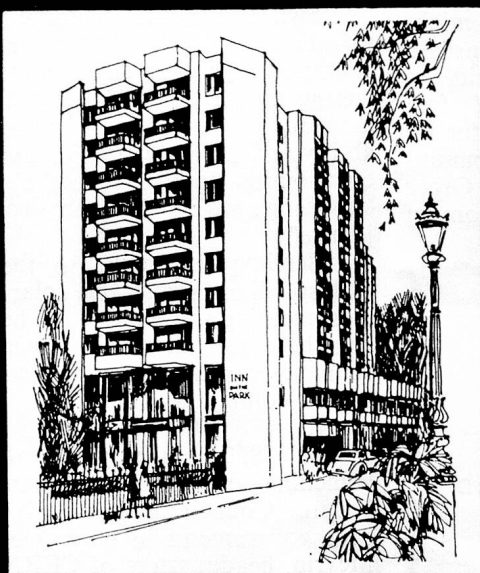
CANTONAL

Examination of the Pfuertner case

The case of Father Pfuertner, the Dominican Priest relieved from teaching for a year at the University of Fribourg because of his stand on pre-marital relations, has given rise to an unsettled situation between Rome and Bishop Mamie of Fribourg on one hand, and between the Conference of Swiss Bishops and Fribourg University on the other.

Traditionally, new professors at Fribourg were recommended by the Church, or the Dominican Order, following which the cantonal government ratifies their post at the University. In the Pfuertner case, cantonal authorities and the University had been by-passed in the decision to suspend the professor from teaching by his Dominican superiors. They were acting on orders from the Congregation for the Faith, who were displeased by Father Pfuertner's "twelve thesis" on sexual morals. He has furthermore been forbidden from exercising pastoral duties in Bishop Mamie's diocese.

The conference of Swiss Bishops made a careful study of the report on his lecture by the University of Fribourg and examined the problem in depth, only to realise that the controversy over the case reflected opposing tendencies in Fribourg University on sexual behaviour, an opposition which



Dine at the Inn place

The Inn on the Park, at the Piccadilly end of Park Lane, has added two important restaurants to the London scene.

The elegant Four Seasons Room, with its wide view over the Park, provides a truly international menu, impeccably presenting the finest foods of each season.

The Vintage Room specializes in superbly grilled steaks and traditional ribs of beef. A subdued and intimate decor and continuous dancing from 9 p.m. until 3 a.m. creates a wonderful club atmosphere.

Lunch leisurely at the 'Inn' and enjoy a great experience; or dine after the theatre, and make your evening complete.

Inn on the Park

Hamilton Place, Park Lane, London W.1. Tel: 01-499 0888

in fact pervaded the whole Catholic Church. The Bishops decided there were no grounds, on the basis of his teaching, to punish Father Pfuertner by suspending him from teaching.

What most observers deplored was that Rome should have acted without consulting the Swiss Conference of Bishops, and without giving Father Pfuertner a chance to defend himself. It was felt that disciplinary measures were not the way to solve a problem already painfully dividing the Catholic Church.

Ram kills hiker

Although sheep are usually considered non-aggressive animals, this can not be said of rams. Such a creature was responsible for the death of a Mr. Werner Egger, from Berthoud (BE). He was taking a walk near Ochsen, in the Schwarzenburg area, when he was attacked by a ram. The animal knocked him over a 100 metre cliff at the foot of which his body was recovered some time later.

Thirteenth Toy Fair in Berne

The Swiss Exhibition of Toys, Souvenirs, Novelties and Christmas and Winter gifts-SPISO-will be held for the 13th time from 3rd to 6th September, in the Berne Exhibition Hall at the Guisanplatz. About 70 exhibitors from Switzerland and abroad are expected at the fair, an industrial meeting place for producers and retailers, which is therefore unfortunately not open to the public. The exhibition is expected to include some interesting novelties on the toy market. Some 4,000 retailers have been invited, who should appreciate the unique situation of the Berne Exhibition Hall with its easy connection to the motorway and the unlimited parking space.

Max Rostal Music Weeks in Berne

From 15th to 29th August, 1972, the eighth Max Rostal Music Weeks take place in Berne. Living and working in Berne, the world-famous music teacher Max Rostal has given his name to a festival which brings a host of notable concerts to the federal capital again in the Large Hall of the Music Conservatorium. Several established soloists from this country and abroad have agreed to participate, ensuring that this year's Max Rostal Weeks will once more be a glittering highpoint of Berne's musical life.

Free trams a non-starter

The question of free transport is being given increasing attention and publicity in the main Swiss towns, many of which still have a tramway network. It was demanded in a local referendum in Basle and experimented for a day in Neuchatel. Geneva has studied the problem in depth and published a report tending to show that free transport is not the solution to traffic jams and pollution.

The assumption of "free transport" is that commuters will be induced by the opportunity to save money to abandon their private vehicles and use public means of transport to go into town. This assumption has often been proved wrong. Commuters do not primarily take public transport or abstain from using them out of pecuniary considerations. It has been shown that the cost of transport has a bearing only for short journeys. In many such cases a passenger might board a bus if the fare is free instead of walking as he normally would.

Thus the introduction of free transport would only fill trams for no benefit to the community, and commuters would still use their cars. Other means are necessary. One is to convert

main tram lines into "surface tubes" by isolating them from traffic. Other possible solutions, such as the one recently suggested for London, is to tax car driving commuters. This has not yet been considered in Switzerland.

The Geneva official report also shows that free trams would cost more to run than transport in its present form. The increases would fall on the taxpayer.

Zurich barracks to be moved out of town

The cantonal parliament of Zurich will be called to examine later this year a bill for the removal of the military barracks in the centre of Zurich to a new site near Reppischtal, a valley on the western flank of the Uetliberg. The project also includes closing the present training and firing grounds of Allmed, at the foot of the Uetliberg, east of Zurich, to Reppischtal, where the Canton has already bought about 156 hectares of land on behalf of the Military Department and plans to buy a further 70. Its cost will be 100 million francs and the people will be asked to vote on it next year.

Opposition has already been raised against plans to put the Reppischtal and the area between Birrmenndorf and Urdorf to military use.

SPACE

Switzerland's role in space research

Switzerland is in the same position as Britain and other developed countries regarding space research. It has no means of carrying out anything independent but has the technical ability and the industry to make useful contribution to this aspect of human knowledge within the framework of a joint effort.

Sending astronauts to the moon and satellites across the solar system is something reserved for the great. But there are other fields where small countries can take part, particularly in space communications and meteorology.

In 1960, three years after the launching of the first Sputnik, the Federal Council invited twelve European governments to send delegates to Meyrin, headquarters of CERN, to set up the International Commission that was to prepare the main European space achievements.

The Federal Government, Swiss scientists and industries had made considerable efforts to share in the fruits of space research. Among the achievements of Swiss scientists are important papers on celestial mechanics and satellite orbits; the development of geodesic measurements by

THE ZURICH GROUP

ZURICH INSURANCE COMPANY
(a limited Company incorporated in Switzerland in 1872)

THE BEDFORD LIFE ASSURANCE SOCIETY LTD.
(an associate member of the Life Offices Association)

THE BEDFORD GENERAL INSURANCE COMPANY LTD
(a member of the British Insurance Association)

UNDERTAKE ALL
CLASSES OF INSURANCE!
BRANCHES THROUGHOUT THE U.K.

HEAD OFFICE:
FAIRFAX HOUSE, FULWOOD PLACE
HIGH HOLBORN, LONDON, W.C.1

Telephone 01-242 8833

GROUP RESOURCES EXCEED £500,000,000

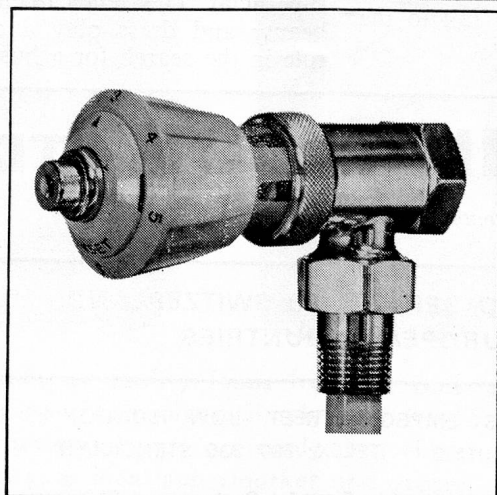
your home your office your factory

Sulzer's international experience solves heating problems in Britain

Sulzer's services range from industrial heating and ventilating contracts to a unique thermostatic radiator valve for use in domestic central heating systems. This valve, which is helping British families to get more economy and comfort from their central heating, is called Temset. Set it to the temperature you want — and from then on it keeps the room at that level of heat. Temset even makes adjustments to compensate for the number of people in the room and changes in the weather.

Sulzer Bros./London/Ltd., Bainbridge House, Bainbridge Street, London WC1A 1HS

SULZER



TEMSET

satellite; the experimental study of the stratosphere and the earth's magnetic field; solar wind experiments by the Apollo 14, 15 and 16 missions; study of infra-red and ultra-violet spectrum of stars and the sun by balloons sent 20 miles high in the stratosphere. Finally, Swiss researchers have made important contributors to spacial medicine and biology.

Switzerland has played an important role in ESRO, the European Space Research Organisation, by building part of the satellites planned in its programme. Swiss firms have made the precision timing instrument. They also produce experimental rockets reaching up to altitudes of 150 miles.

The federal administration has fought firmly to save European space co-operation, which have run into difficulties lately owing to the failure of ELDO rockets and the threatened walk-out of Britain. The present ESRO scientific programme was only fixed in December 1971. The Federal Council means to make Switzerland have a share in the fruits of this common effort and not leave the applications of telecommunication, weather-forecast and navigational satellites, entirely to the two great powers.

SPORTS

Switzerland beats Ireland

Switzerland beat Ireland by 131 points to 81 and was narrowly defeated by the French "B" team in a double athletics match at Basle in early July. Long jumper Rolf Bernhard made a 7m 87 leap, beating the Swiss record and qualifying for the Munich Olympic Games. Seven Swiss athletes realised their best performances of the season. Despite a serious injury last season, Toni Feldmann won the 3,000 metre steeplechase in 8 minutes 34. Olympic medallist Philippe Clerc won the 200m, his speciality, in 20.9 seconds and came second in the 100m in 10.3 seconds. Urs von Wartburg threw the javelin at 79 metres 16. Other compatriots won in the 110m hurdle, the

400m hurdle, the triple jump (15m 65), weight throwing (17m 52), and the hammer (65m). It was a good performance auguring well for Munich.

MODERN LIFE

Birth rate of foreigners in Switzerland

A recent article in the *Tages Anzeiger* showed that the growth of the Swiss population, ignoring immigration movements, was more than half due to the self-generating growth of the foreign population in Switzerland. The foreign birthrate is double that of the Swiss, while the death rate is considerably smaller.

One of the reasons for this situation is that the majority of foreign families in Switzerland are Catholics, and thus more prolific. They are also more prolific than in their own respective countries. For example, the overall foreign birthrate was 35.3 per cent in Switzerland in 1965 (falling gradually to 28.5 per cent in 1971) whereas it was 16.8 per thousand in Italy and 19.8 per thousand in Spain. At least one of every two babies born in Switzerland is either Italian, Turk, Yugoslav or Spanish. To this is coupled a smaller death rate due to the small proportion of elderly persons among the foreign community, and also to fewer children.

Figures quoted by the *Tages Anzeiger* for 1970 show that there were 1,129,879 married Swiss women in Switzerland against 237,761 married foreign women. They respectively gave birth to 66,666 and 28,804 babies. It is surprising that these figures have rarely been quoted in anti-foreigner propaganda (similar figures applied to the coloured population, have been bandied about in Great Britain). Nevertheless, there is not too much cause for concern because planners are sure that the birthrate is on the decline and will eventually fall to the level of the Swiss birthrate.

Less than a litre a week

A recent survey by the Swiss Federation of Wine Dealers showed that the Swiss drank on average 42 litres of wine in 1971. Total consumption reached about 2.55 million hectolitres, 1.6 million of which were imported and the rest grown at home. The 1971 harvest was considerably smaller than the record 1970 harvest, which had topped 1.2 million hectolitres. The total surface of planted vineyards in Switzerland was 12,176 hectares at the end of last year, an increase of 39 hectares over the previous year. Despite this marginal increase, vineyards are rapidly being converted in Neuchatel and the Tessin. They are still expanding in the Valais and in Schaffhausen. Over three-quarters of the wine produced in Switzerland comes from the French-speaking part, 13.2 per cent comes from German Switzerland and 9.4 per cent from the Ticino.

Swiss women admit to working too much in the home

An opinion poll survey carried out among Swiss women (apparently for no other purpose than an honourable quest of knowledge) revealed that 28 per cent of Swiss women thought that life was easier for men, whereas 30 per cent were of the opposite opinion. Women at work complained more readily of discrimination by men, since 38 per cent feel that way against only 4 per cent of housewives.

In a paragraph under the heading of "self criticism", a quarter of all women interviewed confessed that they spent too much time housekeeping, and 18 per cent found that they did not devote sufficient time to their children.

Thirty per cent of unmarried women find that women today are superficial. This tends to indicate that beauty and dress play a diminishing role in the search for a husband.



NEALE & WILKINSON LTD.

Member of the Constantine Group

REGULAR ROAD SERVICE TO SWITZERLAND
AND OTHER EUROPEAN COUNTRIES

LLOYDS BUILDINGS, EMPSON STREET BOW, LONDON E3 3NB
TEL: 987 4011/2 TELEX: 897 330 STENCILLER

International Household Movers, Fine Art Packers and Shippers



Members of Eurovan

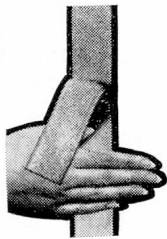
For the practical fastening of practically anything... use Velcro.

Velcro, the unique touch-and-close fastener that's the most useful addition to the work basket since the needle.

Available in $\frac{5}{8}$ " and $\frac{7}{8}$ " widths and 14 colours.

Ask for free sample and our 'Velcro' ideas booklet, full of exciting uses for this versatile fastener.

VELCRO®
touch and close fastener



Sole U.K. manufacturers
Selectus Limited, BIDDULPH, Stoke-on-Trent.
Telephone Biddulph 3316

Serve delicious **ST. GALL** RAVIOLI or CANNELLONI



These famous quality foods from St. Gall, are a meal in themselves. Simply heat for 15 minutes and they are ready. Buy them from your local supermarket and grocer.

Also from the Swiss Centre, Leicester Square, London W.1.

TELL WILLIAM, I'd sooner trust my **ROAMER** OF SWITZERLAND

Our Target—
Precision Perfection.

Our aim—
Prices within
everyone's range.



ROAMER WATCHES (ENGLAND) LTD.
29-35 Farringdon Rd. London EC1.
01-405 2858

The explosive growth of Swiss TV

The June issue of the *Weltschweizer*, a colourful magazine for the young Swiss abroad, had a detailed story of Swiss television. Many of the facts related may have been forgotten by most. Who ever would have realised on 23rd November, 1953, when the first official TV programme was broadcasted from the modest studios of Bellerive in Zurich, that 17 years later 65 per cent of all Swiss households would have the picture box in their homes.

The growth in the number of TV sets had already surpassed that of radios by 1961 and Switzerland, with 224 sets per thousand inhabitants, is not far behind Great Britain and West Germany in the world league.

The peculiarity of Swiss television is that it must operate in close conjunction with the Post Office and Telephone network as this is the only way to bring TV images to villages hemmed in valleys. TV waves must travel in a straight line, although the Plateau can be served by a few powerful transmitters (such as those on the Uetliberg, La Dôle, Bantiger and the Säntis). There are 234 relays and 331 transmitters serviced by the Swiss GPO to make sure that remote valleys also have the benefit of television. The GPO in fact takes 30 per cent of television's revenue. It is responsible for picture transmission and technical maintenance.

Advertising was introduced in stages. There was considerable opposition in the years between 1958, when its introduction was first recommended and 1964, when it was finally accepted (with the exception of cigarettes, patent medicine and drinks) in order to bring additional revenue to the SRG (*Schweizerische Radio und Ferngesellschaft*). There were initially 12 minutes of advertising a day, but was enlarged in 1968 to 15 minutes and currently brings in 50 million francs of revenue a year.

The SRG, which in 1961 succeeded the *Schweizerische Rundspruchgesellschaft* is a separate entity from the "AG für das Werbefernsehen", in which it has a share, together with the Swiss Newspaper Publishers Association, the Swiss Press Union and various other organisations.

There are three Swiss television networks corresponding to the three linguistic areas. The German-speaking network, with 237 transmitters, covers 98 per cent of the land. The French-speaking system which has 84 transmitters, covers half the country, and the Tessin network, with 10 transmitters, covers 38 per cent. This means that most Swiss already enjoy two national channels. Plans are under way to complete this and eventually have the whole country covered by at least two networks. This will have a useful uni-

fying effect and will be greatly appreciated by the German-speaking Swiss living in French-speaking Switzerland and vice versa. The many Italian families working in the industrial areas of Zurich, Basle and Schaffhausen will also appreciate the Italian programmes of the Ticino network.

Each of the three television networks should have a second programme by 1974. Although the necessary communications have already been set up by the telephone services, the SRG is not yet equipped to broadcast two different programmes per language and, as an interim solution, Swiss viewers will have programmes in the third national language through the vacant channel.

Owing to its importance in collective and individual life, whatever problems are faced by television immediately become topical. There were a number of incidents last year in Zurich and Geneva, where TV chiefs were sacked and national councillors made representations against television's alleged lack of objectivity. The *Weltschweizer* lists no less than 24 problems actually facing Swiss television, most of them concerned with objectivity and competence.

Criticism is often levelled at the SRG for its unwieldy organisation, its lack of flexibility, the absence of freedom of speech and therefore certain circles demand a second independent and balancing organisation, however impractical this seems to be. The country's federal structure presents an extra difficulty since programmes must be regionalised at the cost of possibly being "boring", while the organisation must be centralised for practical reasons.

COMPANIES

Brown Boveri Baden held its Annual General Meeting in early July in the presence of 800 shareholders holding 52.4 per cent of the company's equity. The Chairman, Mr. F. Luterbacher, said in his Report that the Group had had a good year despite losses incurred through monetary fluctuations. However orders had fallen—mainly because of protectionist trends in America.

Brown Boveri Baden has its main manufacturing facilities at Baden, Birsfelden, Munchenstein, Tägerhard and Turgi and also controls the Oerlikon Machine Factory, Secheron SA in Geneva and Micafil AG at Zurich-Alstetten. These Swiss factories employ 20,821 people and had a turnover of 1,260 billion francs during the last financial year, 72 per cent of which was accounted for by exports.

The world-wide group, which includes among many other companies the Paris-based *Companie Electromécanique* and Brown Boveri Mannheim, employs 92,800 workers and its

last turnover was 6,411 billion francs (an increase of 10.5 per cent), 339 million of which was earmarked for investments. Profits stood at a lowly 30.74 million francs.

Brown Boveri controls 10 per cent of the American generating plant market and has just installed in the Tennessee Valley a turboset developing 1,350,000 kilowatt, or the power of 45,000 Volkswagens. But Brown Boveri is having trouble selling its transformers in the U.S.A. owing to new anti-dumping regulations. The worst blow came when the dollar devalued. Losses incurred through orders invoiced in this currency before the announcement of its devaluation last December amounted to 60 million francs.

A positive development is the improved situation at Secheron, which was saved from insolvency by a Brown Boveri takeover in 1970. Although the firm is slightly in the red, its manufacturing capacity is better employed thanks to orders from Baden and Oerlikon.

Brown Boveri is also a socially-minded employer and built 106 flats in the Baden area last year, bringing the present total to about 2,000.

ANGLO-SWISS

Publicity for the "Harrier" jump jet

The British-made "Harrier" vertical take-off and landing aircraft was a latecomer in the list of possible candidates surveyed by the Military Department as a new aircraft to satisfy the Air Force's fighter requirements. But after a period of evaluation last year, Hawker Siddeley's offer of a comparative study of its aircraft, opposing it to other candidates was turned down as the "Harrier" ruled out of the shortlist.

Military officials said that the main drawback of the aircraft, despite its revolutionary characteristics, was its small payload. But Hawker Siddeley retaliated in an advertising feat-

SWISS SPECIALITIES

SAUSAGES

CHEESE

CHOCOLATES

HERO CONSERVES

BISCUITS

ROCO CONSERVES

go to

BARTHOLDI'S

Charlotte Street, London W14

Telephone: MUS (636) 3762/3

ALSO FIRSTCLASS MEAT



RENTENANSTALT

Swiss Life

INSURANCE AND PENSION COMPANY
(Incorporated with limited liability in Zurich Switzerland)
Mutual Company—Established 1857

**ASSETS EXCEED
£600 MILLIONS**

24 Cheapside, London E.C.2.
Telephone: 01-236 3841

Head Office: SCHWEIZERISCHE LEBENSVERSICHERUNGS-UND RENTENANSTALT, ZURICH.

specialises in Pension Plans for
International Companies with the

MASTER COVER CONTRACT

and offers in Great Britain all types
of life assurance and annuities.

30 Exchange Street East, Liverpool L2 3QB
Telephone: 051-236 6712

The International Bank for International People.

Lloyds & Bolsa International Bank is strongly established in Western Europe and the Western Hemisphere.

LBI has a wide direct representation in the EEC and Switzerland, and is also the only British bank with a branch network covering virtually the whole of Latin America.

LBI plays an important role in the Eurocurrency market and has arranged finance for many major projects world wide.

The LBI Group, through its branches, associates and representatives in New York, Nassau, Paris, Frankfurt, Brussels, Amsterdam and Zurich, has a direct access to principal sources of foreign currencies in all the world's

great financial centres.

To these established features should be added LBI's experience and reputation gained in Eastern Europe, Japan, the Middle East and Australasia, and the Bank's valuable links with Lloyds Bank Limited and the Mellon Bank of Pittsburgh.

The Bank's multi-currency capability, its skill in tailoring the use of funds to meet specific requirements, its spread of branches and representatives throughout the world, all combine to make LBI of essential interest to any business operating across national frontiers.

LBI is represented in Switzerland by Lloyds Bank Europe with branches in Zurich, Geneva and Lugano. Contact the specialists:

ZURICH, 18 Borsenstrasse
Telephone 25-87-65

GENEVA, 1 Place Bel Air
Telephone 25-03-20

LUGANO, 9 Corso Pestalozzi
Telephone 3-90-91

LBI **LLOYDS & BOLSA**
International Bank Limited
40/66 Queen Victoria St. London EC4. Tel: 01-248 9822

ure which appeared in the French-speaking press and claimed that the payload-range ratio was within specifications, "keeping in mind the unique possibilities of vertical take-off and landing". The article went on to say that alterations needed to satisfy Swiss standards would present no difficulty and would be guaranteed by the British Government.

It says that the "Harrier" has reached its full maturity, thus contradicting the Swiss expertise, and recalled that the American Navy has used it successfully for over a year.

The chances that the Military Department will turn back on its decision and reconsider the "Harrier" are however remote.

TOURIST ITEMS

"Ski for You" wins more applause

The short film "Ski for You" released under the patronage of the Swiss National Tourist Office and the Swiss Ski School Association (Production: Condor-Film & Co.) has been awarded no less than seven distinctions of international importance. Just recently, the film obtained the "Premio Olimpico Nazionale Italiano" at the "Concorso Internazionale di Cinematografia Sportiva" in Cortina d'Ampezzo and the "Prix Spécial" at the 4e Festival international CIDALC du film sportif in Reims. Millions of people have already seen this colour film on TV, in cinemas and at "narrow film" shows.

Alpine Gardens in Switzerland

Lovers of Alpine flora are discovering Alpine gardens in many different regions of Switzerland. One of these, the "Schynige Platte" is to be found in the Bernese Oberland, overlooking the Lake of Brienz and lying at a height of 2,000 metres. Nearly all Swiss mountain plants grow there varying between gentian and heather. Over 2,000 people visited this garden each week last year. Flora from the Jura bloom in the botanical garden of Weissenstein near Solothurn. Mountain flora is best seen in the Alpgrün garden at the Bernina Pass. About 7,500 plants of 550 different sorts grow in the Alpine garden of the Schatzalp above Davos. The highest Alpine garden in Europe is at the Rochers de Naye (above Montreux) and boasts of many rare kinds of Alpine flora.

Europe's first Alpine rose-testing Garden in Switzerland

The sunny and car-free resort of Braunwald has yet another attraction to offer its visitors this summer—the first Alpine rose-testing garden in Europe. 2,120 roses of 144 different kinds and eleven categories have been

planted in five areas of the village by the Association of Swiss Rose-lovers. The aim of this experiment is to find out which roses are best suited to Alpine climate by allowing them to bloom at an altitude varying between 1,200 and 1,900 metres. Due to its

altitude and climate, Braunwald is apparently an ideal testing ground and this will be going on for a period of five years. Visitors to Braunwald can admire these roses in bloom from mid July right till the first snowfall.

A SWISS WOMAN'S INTRODUCTION TO PARLIAMENT



What does it feel like to sit as a woman at the National Council for the first time in Swiss history? Miss Tilo Frey, Radical National Councillor from Neuchatel tells us in the following article reprinted by courtesy of Pro Helvetia. Not only was Miss Frey the first Swiss woman to stand for election to the National Council, where she is currently serving on several of its committees, she is probably the first national councillor to bring a touch of Africa to the austere Chamber. Born in the Cameroons in 1923, her father was a Neuchatelois and her mother was Peuhle and thus belonged to the proudest nomadic tribe of West Africa.

After training to be a teacher, Miss Frey taught shorthand and type-writing at the Commercial College of Neuchatel in 1962. She was Principal of the Girl's Vocational School since 1972. As a member of the Radical Party, she entered the Communal Parliament of Neuchatel in 1964 and was its President in 1970-71.

There can be no doubt about it. One of the most satisfying experiences of my political career has been the election of twelve women to the Federal Assembly. I do not refer especially to my own election. I am thinking rather of the fact that women as such were elected for the first time.

In 1919, Neuchatel was the first Swiss canton to vote on a proposal to give women the franchise and the right of election at cantonal and communal levels. There was still a long way to the day when Swiss women obtained these rights in Federal affairs, on 7th February, 1971, and to the day when they were finally qualified to sit at the Federal Assembly, on 31st October, 1971.

This final step reflected the wish of the Swiss people to associate themselves with the opinion prevailing nearly everywhere in the world that the franchise is a universal human right to be conceded to women as well as men, even under circumstances particular to Switzerland, where the demands of civic duties are unparalleled, since the citizens not only elect members to Parliament but also have to vote on Initiatives and Referenda.

The inaugural bouquet treatment

It was with a feeling of deep satisfaction, and even of jubilation, that I entered in the National Council Chamber on the first day of the Winter Session, on 29th November, 1971, in the limelight of Press and television cameras. It was a memorable day, a festive occasion. The desks of the new women members were adorned with flowers. Congratulatory messages poured in. Welcoming smiles lit up the faces of our new male colleagues. Attendants were most obliging, pressmen most attentive. It was enough to