

Zeitschrift: The Swiss observer : the journal of the Federation of Swiss Societies in the UK
Band: - (1972)
Heft: 1632

Rubrik: Swiss events

Nutzungsbedingungen

Die ETH-Bibliothek ist die Anbieterin der digitalisierten Zeitschriften. Sie besitzt keine Urheberrechte an den Zeitschriften und ist nicht verantwortlich für deren Inhalte. Die Rechte liegen in der Regel bei den Herausgebern beziehungsweise den externen Rechteinhabern. [Siehe Rechtliche Hinweise.](#)

Conditions d'utilisation

L'ETH Library est le fournisseur des revues numérisées. Elle ne détient aucun droit d'auteur sur les revues et n'est pas responsable de leur contenu. En règle générale, les droits sont détenus par les éditeurs ou les détenteurs de droits externes. [Voir Informations légales.](#)

Terms of use

The ETH Library is the provider of the digitised journals. It does not own any copyrights to the journals and is not responsible for their content. The rights usually lie with the publishers or the external rights holders. [See Legal notice.](#)

Download PDF: 22.11.2024

ETH-Bibliothek Zürich, E-Periodica, <https://www.e-periodica.ch>

SWISS EVENTS

FEDERAL

Constitutional article on consumer protection

The "Foundation for the Protection of Consumers" and the "Association of Wage-Earners and Consumers" remitted at the end of last year to the Parliamentary Commission on Consumer Protection a Report outlining proposals on the addition of a sixth paragraph to the 31st Article of the Federal Constitution.

This Article would provide "that the Confederation is responsible for ensuring the protection of consumers by taking adequate measures, in particular, by encouraging consumer organisations concerned with informing, counselling and educating consumers".

The Parliamentary Commission will recommend on the basis of this report whether the Federal Council should start the usual consultative procedure necessary for writing down the proposed text in the Constitution. Parliament is expected to debate this matter in the coming spring.

The two consumer organisations believe that the moment has come to include the promotion of consumer protection among the legislative attributions of the Confederation, especially now that public opinion has become highly aware of these problems. The promoters feel that consumers have a right to be properly informed on the goods they buy from a competitive market, and talk of an "extension of federal consumer policy".

By this, they mean the systematic experimentation of new products; official information of the public through mass media, particularly television, so as to counterbalance the suggestive power of commercial advertising. It is also suggested to create university institutes charged with studying technical and legal problems related to mass consumption. Advertising for cigarettes and spirits should be restricted, the Report adds, and children at school should be educated as "consumers".

The proposed university institutes would investigate into the optimal uses of individual incomes and train journalists and teachers in "consumer sciences".

Initiative on non-military national service

The sponsors of an Initiative in favour of instituting a "civil service" in which conscientious objectors could serve have presented 62,513 signatures to the Federal Chancery, far more than the required 50,000 signatures.

As explained by the Initiative Committee, there is no question of abolishing ordinary national service, still deemed necessary to "guarantee the independence of the Confederation". The idea is to offer conscientious objectors an alternative solution to imprisonment. By accomplishing a term of civil service of the same duration, and with the same hardship as ordinary basic military training, they are given a chance to perform a useful service to the community.

The amended 18th Article of the Federal Constitution would offer a way out for "those Swiss men who cannot conciliate submitting to military obligations with their faith or their conscience". The men called to this service could eventually be sent to areas struck by natural disasters across the world.

The initiative was launched by a group of teachers at Munchenstein, in Basle-Country and rapidly gathered support from the Evangelical Party, the Federation of Swiss Protestant Churches, the Swiss Methodist Church, the Basle Diocese and the Society of Army Chaplains.

Redraft of Article 27 on Education

The Federal Council has approved a new draft of the 27th Article containing the principles governing education in the Confederation. Former provisions are somewhat reshuffled and Article 27-4, establishing the Confederation's duty to encourage research, and asserting its right to create or take in charge research establishments is new.

The main new additions are purely formal. They state that every inhabitant has the right to acquire an education adapted to his abilities. Furthermore, it is stated that public-run schools must accept children of every confession. The 27th Article delimits the cantonal and federal responsibilities of education.

The first nine years of obligatory schooling are the concern of the Cantons. Professional training belongs to the Confederation, which is furthermore entitled to fix the duration of obligatory schooling throughout the country; to establish guidelines for secondary education; to create new higher-educational establishments and to encourage all efforts aimed at inter-cantonal co-operation.

Italian to be put behind English

Following the proposals published by a federal commission charged with modernising the system of secondary

education certificates, in which it was suggested to create two new kinds of *Matura*, a "modern *Matura*" and an "economics *Matura*" and to relegate Italian to the status of third language, after English, the Executive Council of Tessin sent its objections to Federal Councillor Hans Peter Tschudi. The Tessin authorities remark that if the Commission's proposals were adopted, then Italian, one of the four official languages, would be relegated behind English both *de facto* and *de jure*. They underline their "surprise" that such an eventuality should have been considered.

(ATS)

De Gaulle posthumously changes federal practice

Mr. Hans Peter Tschudi, head of the Military Department, represented the Swiss Government at the funeral of King Frederick of Denmark. This was a precedent. Switzerland had been humbly represented by former federal councillors at Chancellor Adenauer's and General De Gaulle's funerals. In the latter case, when Switzerland had sent Mr. Max Petitpierre to the General's Memorial Service at Notre Dame, there had been some criticism at the insistence of such modesty. A national councillor qualified the situation as a "real scandal" and tabled a question to Federal Council. His plea has obviously not passed unnoticed.

A commentator reflected that "Ministers" were promoted "Ambassadors" for the same reason. They were always placed in retiring positions at diplomatic functions. Likewise, higher Swiss officers are entitled to be held in the same respect as "Generals" in official functions abroad.

Recognition of Bangladesh postponed

Although willing in principle to recognise Bangladesh, the Federal Council has postponed its decision until preliminary discussions with India and Pakistan. According to an official declaration by the Political Department: "Switzerland is in a particular position, because she has been entrusted with safeguarding Pakistani interests in India and Indian interests in Pakistan. Switzerland will therefore have to review the situation with the parties concerned before taking any steps". One reason why Switzerland must consider its policy in this respect very carefully is that it is in a good position to represent Pakistan in Bangladesh.

The "Villard Affair"

Political passions were inflamed over the "Villard Affair". Mr. Arthur Villard, Socialist National Councillor and a well known pacifist (he had served a jail sentence through solid-

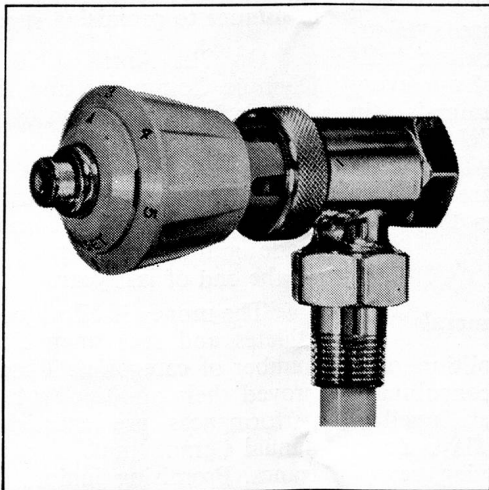
your home your office your factory

Sulzer's international experience solves heating problems in Britain

Sulzer's services range from industrial heating and ventilating contracts to a unique thermostatic radiator valve for use in domestic central heating systems. This valve, which is helping British families to get more economy and comfort from their central heating, is called Temset. Set it to the temperature you want — and from then on it keeps the room at that level of heat. Temset even makes adjustments to compensate for the number of people in the room and changes in the weather.

Sulzer Bros./London/Ltd., Bainbridge House, Bainbridge Street, London WC1A 1HS

SULZER



TEMSET

arity with conscientious objectors) was appointed by his Party to Parliament's Military Commission. The National Council's Executive Committee, which is charged with vetting new membership to the various parliamentary commissions, rejected his candidature. This unleashed a storm of protest and counter-protest, not least from Mr. Peter Durrenmatt, Conservative National Councillor and former editor of the *Basler Nachrichten*. The Association of Army Officers was approached with the matter and the Executive Committee decided to postpone its ruling for a few weeks as a cooling-off measure. Majority support to Mr. Villard's admission seemed practically secure once he had pledged, in a public statement, that he would abide by the "official interpretation" of the secrecy requirements of this function.

TOURISM

Anger among hotel managers

Hoteliers were very angry at the negative reply given by the Federal Council on 21st January to their request, made three months earlier, for a relaxation of the labour-quotas for the hotel industry. They had asked that the quotas imposed on the available foreign manpower in the hotel industry be lifted, in view of the essentially seasonal activities of most hotels.

The hotel keepers maintained that, by requiring imported labour for only a few months a year, they were not burdening the country with more aliens, nor upsetting the balance of the labour market. The Federal Council appeared to give little consideration to these arguments. "Having resort to foreign labour is no permanent solution" it said. Fearing that enlarged labour quotas for the tourist industry would only help to expand the population of "false seasonals" who eventually have to be granted a yearly permit for political, legal and humanitarian reasons, it politely turned down the hoteliers' demands.

The three associations grouping the Swiss hotel and catering trade immediately resolved to hold a general meeting and take action. They expressed considerable irritation at the delay of the federal reply, and the limited concern which the Federal Council had appeared to give to their request.

Many small hotels only open in the tourist season are in a very difficult situation. They can find simply no one to clean, to cook, to wash up and perform all the other chores of running a hotel. New hotel schools have been opened in the Grisons and the Oberland but most of their new trainees leave for abroad. Large hotels open all year manage to snap up available manpower and the smaller establish-

ments only open for the summer or part of the winter find no one left to employ. Worst hit are hotels with restaurants in the large towns.

Dispute over Resort Duty

A suit filed by the Commune of Montreux against a hotel owner who had refused to pay Resort Duty (*taxe de séjour*) for the past five years has been dismissed by the District Court of Vevey. The hotelier's lawyer put forward the argument that a Commune was not entitled to charge such a Duty because it amounted in practise to a kind of Purchase Tax, for which there were no provisions among the laws of Vaud on Communal taxation.

As a result, some thirty Communes who had drawn appreciable revenue from Resort Duty set apart for financing tourist equipment had been acting illegally.

The cantonal authorities have been put in an embarrassing situation. Montreux has decided to appeal against the Vevey District Court ruling and the sequel to this affair is awaited with impatience by tourist interests in Vaud.

Museums

The Swiss National Museum (*Landesmuseum*) in Zurich will promote its public relations. An information service has been set up to inform schools and the Press more forcefully of the many exhibitions organised by the museum. Its new Director, Mr. Hugo Schneider, said in a recent press conference that the National Museum's purpose was not only to preserve objects belonging to the past, but also to be a witness to Swiss history and to those men who had played a significant role in it. New halls are due to be opened this year. An exhibition of costumes having belonged to Jürg Jenatsch is due to be staged and a new room will be devoted to a retrospect of 17th Century Zurich.

A new Toy Museum created by the Commune of Riehen and the Museum of Folklore in Basle has been opened at the newly-restored "*Wettsteinhaus*" in Riehen. Its twelve halls will contain 2,000 objects from every part of Europe: Dolls, animals, tin soldiers, dolls' houses, model railways and a mechanical theatre. The oldest articles in this collection are kaleidoscopes made at Augsburg in 1735.

MODERN LIVING

Attune the law to modern morals

A motion for the abolition of a Cantonal law forbidding concubinage has been tabled at the Great Council of Canton Lucerne. The law lays down that unmarried people having sexual intercourse in a commonly-shared residence are liable to sentences of up to

14 days' imprisonment. The police are furthermore entitled to separate illegitimate couples. The motion claims that this law deserves to be abrogated on grounds of outdatedness.

The cost of a hospital bed

The Geneva Cantonal Hospital has published its 1970 Report. The figures given for general expenditure give an idea of the increase in the cost of health in Switzerland.

With 1,960 beds, Geneva's Cantonal Hospital is the largest teaching hospital in Switzerland. It has a total staff of 3,419—a little less than two persons per bed. In 1970, the hospital's total expenditure reached 90 million francs, compared with 79 million the previous year. This represents an expenditure of 158 francs per day per patient. The 1971 results are expected to show an increase on this figure, which will rise to 170 francs per patient per day. Patients had to pay an obligatory 37 franc daily fee in 1970, and 44 francs a day last year. Thus three-quarters of the hospitals financial requirements have to be supplied by the Cantonal Department of Public Health and Social Security. In 1949, a day at the Cantonal Hospital cost only 26.33 francs.

Statistics show that more people go to hospital today than in the past (one in eleven of the cantonal population) but stay there for shorter periods. As a result, the number of hospital days hasn't increased very fast.

It is cheaper to take care of psychiatric patients. According to figures published by Belair Hospital in Geneva, they only cost 78 francs a day to keep. There are 17 times fewer psychiatric patients than normal ones (1,927 in fact) taken care of in Geneva's public hospital in a normal year, yet they require just under half the number of hospital days. However, psychiatric patients need fewer staff and less specialised equipment, which explains why they cost less than half as much to look after.

Assistance to promising sportsmen

On 7th April, 1970, the Swiss Olympic Committee and the National Association for physical education created a fund for the support of promising young athletes. The "Swiss Sports Aid", which derives its resources from appeals to private companies had made grants totalling 600,000 francs by the end of last year.

The money is allocated to amateur athletes and sportsmen classed into a number of categories. Those who have proved their abilities with outstanding performances are encouraged by an annual grant not exceeding 4,800 francs. Promising juniors are awarded 1,500 francs a year, and team sports are assisted according to achievements.

The International Bank for International People.

The merger of Lloyds Bank Europe with the Bank of London & South America has brought into being Lloyds & Bolsa International Bank Ltd. as the international arm of the Lloyds Bank Group with additional support from a major U.S. bank, the Mellon National Bank & Trust Company of Pittsburgh.

This new bank, spanning the Atlantic, is strongly established in Western Europe and in the western hemisphere. Lloyds Bank Europe, whose first branches were founded over fifty years ago, had a wider direct representation in the European Economic Community and Switzerland than any other British bank. Bolsa was the only British bank with a branch network covering virtually the whole of Latin America, a network which dated back over a hundred years.

The component banks of LBI played a substantial and even pioneering role in the Euro-currency money market and were concerned in the financing of major projects throughout the world.



In addition to London and New York the LBI Group, through branches of its subsidiaries and associates in Nassau, Paris, Frankfurt, Brussels, Amsterdam and Zurich, and representation in Tokyo, has direct access to major sources of foreign currency funds in all the great financial centres of the world.

The Bank's multi-currency capability, its skill in tailoring the use of funds to fit the needs of the customer or project, its spread of branches and representatives throughout the world, all

combine to make LBI of essential interest to any business operating across national frontiers.

LBI is represented in Switzerland by Lloyds Bank Europe with branches in Geneva, Zurich and Lugano.

LBI **LLOYDS & BOLSA**
International Bank Limited

40/66 Queen Victoria St., London EC4. Tel: 01-248 9822

Expanding to help meet British Industry's needs...



As our products find ever increasing application in all segments of British Industry, so the facilities and services offered by British Brown-Boveri are increased. The first stage of our expansion programme has been completed with the acquisition of over 30,000 sq. ft. of office space and storage facilities at Brentford, Middlesex.



British Brown-Boveri Limited

U.K. Head Office: Glen House, Stag Place, London SW1E 5AH. Tel: 01-828 9422 Telex: 23448
Brentford Office: Albany House, 41 High Street, Brentford, Middx. Tel: 01-568 7781 Telex: 934734

"Swiss Sports Aid" plans to increase its support to amateur sports and will launch a vast fund-raising campaign directed towards economic circles and a million-and-a-half Swiss families.

(ATS)

THE JURA

Federal mediation?

The Federal Council examined during its second session the Jura situation with the Conciliation Commission chaired by Mr. Max Petitpierre, which in December had come out with a second report on the Jura problem, inviting the Separatist Movement to participate in the elaboration of a new status of autonomy of the Jura within Berne. A new element of the situation is the position adopted by the Christian Democrat Party, who are well established in north-eastern Jura, that is, in a predominantly Separatist area. They are demanding an immediate "federal mediation" in the Jura issue.

What the party was demanding therefore was no less than an ignorance of the efforts of the "five wise men" Commission, and a by-passing of Canton Berne, the "colonial power" of the Separatists, in order to appeal directly to the highest national authority.

This, the Rassemblement Jurassien had demanded all from the outset. It had never accepted negotiation with Berne, which "illegally" held their homeland under trust. The Conciliation Commission was in their view a pro-Bernese and biased institution. This of course was not true: The purpose of the Commission was solely to assess the Jura situation and as a result, to propose a new political solution acceptable to the majority of the Jurassian people.

It published a first report in 1969 with guidelines for three solutions: independence from Berne and creation of a 23rd Canton; status quo; internal autonomy and creation of new political representation to the Bernese Executive. In March 1970, the people of Berne voted with an overwhelming majority in favour of amending the Bernese Constitution with the effect that the people of the Jura are now constitutionally entitled to decide on their collective future. Which people?

This remains the moot point. The Separatists have always held that all Swiss citizens originating from the six districts of the Jura were entitled to vote on the future of their homeland. They commissioned a Viennese lawyer to produce a thesis in favour of their argument. This, of course, went against the Federal Constitution, and Conciliation Commission, easily proved in its second report that the arguments of the Vienna professor could work both ways and were inapplicable and to Switzerland's peculiar political context.

Most observers in Berne were surprised that a well established political party should have made proposals so much out of line with normal federalistic procedure. There was little chance of the Federal Council accepting to by-pass a sovereign Canton responsible for solving the Jura problem. This would have been a rather unusual precedent and a serious threat to the principles of federalism. The Federal Council's position remains to let Berne and its people solve their own affairs. It has stressed on more than one occasion that the Conciliation Commission was not a "Federal" body but a "Confederal" one. To the Swiss Government, this underlined its non-interference with the internal affairs of a canton, but to the Separatists it served to show that the five Wise Men were puppets of Berne.

The Commission's December Report doesn't bring out anything particularly new. It states that "it is for the Jurassian people to decide whether they would like to belong to a new canton, either comprising the six French-speaking districts, or the three northern Separatist districts; or to be divided in two half-cantons, or remain in Canton Berne and enjoy a special status".

The timetable is the same as that suggested in the 1969 Report. First, it is necessary to work out the details of a "status of autonomy", and the creation of a separate Jurassian constituency for elections to the Bernese Executive Council. Then, the people will be called to vote on the status of autonomy. This should happen next March. Finally, the people of the Jura will also be given the chance to decide that they want *more* local autonomy, and be completely independent from Berne, by a plebiscit provided for by the March 1970 amendment of the Bernese Constitution. The Report also proposed the setting-up of a Committee of well-meaning Jurassians of all tendencies who would be charged, among other duties, to make sure that the various steps towards a settlement of the Jura's future are carried out as peacefully as possible.

The Conciliation Commission has only a consultative role. It acts as Counsel to Berne. Its efforts have so far been partially successful. On the one hand, the Commission has been accepted by the anti-Separatist "*Union des Patriotes Jurassiens*", by the majority of the people of Berne and by Berne's Government, who have greatly softened their attitude towards the Jura in recent years. It has inspired Berne into accepting the principle of Jurassian self-determination and has led to the creation of a "Third Force" in the Jura. But, being steadfastly rejected by the "*Rassemblement Jurassien*", its constructive proposals will be both more difficult to apply and less likely to lead to a definite settlement of the Jura problem.

ECONOMY

Sharp growth of GNP

In 1970, Switzerland's GNP calculated at market prices rose to a total of Sfr. 89,800 million, an increase of 11% over the previous year. Owing to the lack of statistics peculiar to Switzerland, it is not possible to determine the exact growth rate in real terms. However, it is reasonable to assume that, after due adjustment for price influence, it amounted to between 5% and 5.5%. This rate, approximately the same as in 1969, is among the highest recorded during the sixties.

Income distribution

Of all the statistics in the national accounts, the most interesting are those recording the distribution of global income (wages, salaries, interest receipts, earnings) between the various production agents in terms of their participation in economic activity.

In 1970, global national income amounted to Sfr. 74,300 million, an increase of 10.6% over the previous year. The most important item is wage and salary earners' income which, at Sfr. 47,000 million, represents 52.4% of the GNP.

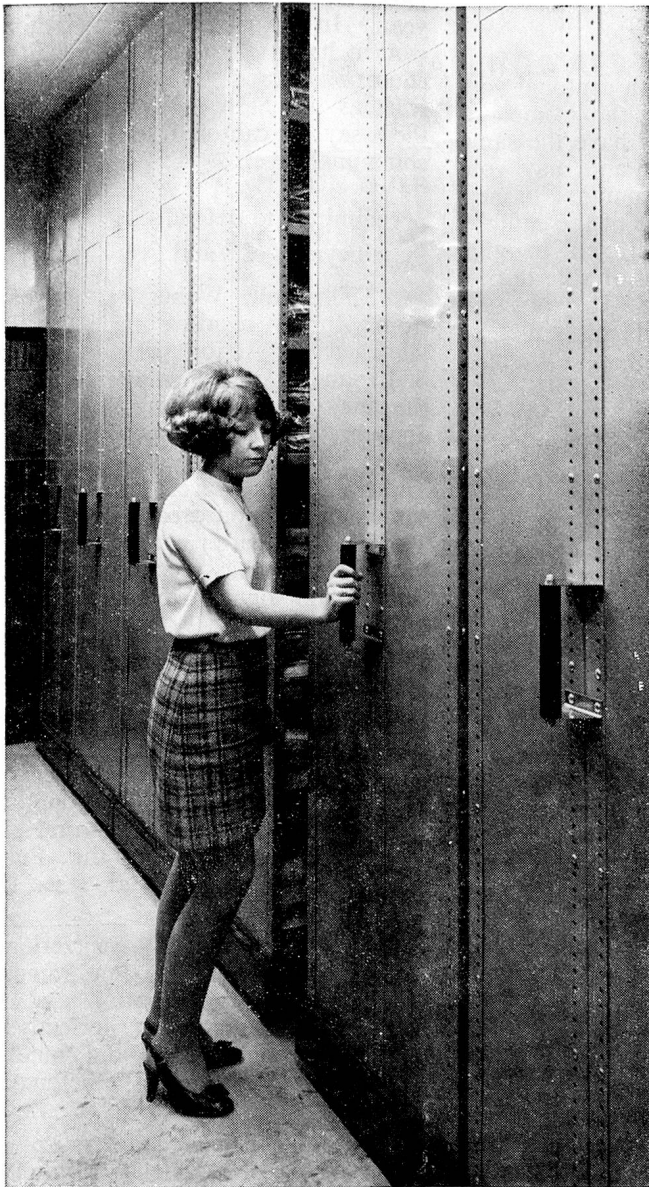
Income of self-employed persons came to Sfr. 11,400 million; the rate of increase has been relatively low in this sector, notably in agriculture where income was only 2.3% up over 1969. However, allowance must be made for the fact that the number of persons working in this sector is on the decline.

With a sum of Sfr. 7,500 million, income from property accruing to private households, as a percentage of the GNP, was slightly down at 8.3%. It was interest receipts which recorded the most spectacular gain (+21.6%), mainly the result of the rise in rates for savings deposits and debenture loans. Dividends made up a total of Sfr. 2,200 million which represents a 10.2% increase over the previous year.

Among the other items, one worth singling out is corporate income tax which was up 16.5% compared with the previous year. This net increase is due to the good business conditions in Switzerland since 1968. It is interesting to note in connection with this that the sums paid by companies in the form of dividends on the one hand and direct taxes on the other have shown a virtually identical progression in recent years.

Utilisation of income

The bulk of income distributed went in the form of expenditure by private individuals on goods and services. Private consumption in fact remains by far the major element of demand: it amounted to Sfr. 50,800 million in 1970, which corresponds to 58% of the GNP. Its importance is, however, tend-



COMPACROW

**—the brilliant answer
to your storage problems**

Compacrow Mobile Storage Units eliminate the need for space-wasting aisles between individual pairs of racks. Compacrow units glide at fingertip pressure to give you access just where you want it.

You need only one aisle in a whole run of cabinets — you'll double your storage capacity and save money all round.

Our storage experts will be glad to show you how to get more out of your available space. Pick up the phone now, tell us your problems and we'll show you how Compacrow will save you rates, money and space.

ACROW

Acrow (Automation) Ltd., South Wharf, London W.2.
Telephone: 01-262 3456. Telex: 21868.

**I've always had
a straight
answer
from the
Union Bank
of Switzerland**



UNION BANK OF SWITZERLAND

SCHWEIZERISCHE BANKGESELLSCHAFT
UNION DE BANQUES SUISSES
UNIONE DI BANCHE SVIZZERE

117 Old Broad Street, London, E. C. 2

**The average
tourist will
drop 2.5 pairs
of gloves
during the
season!**

So it's as well that the Swiss invented Velcro touch and close fastener. A couple of inches sewn to the outside of ski pants and you've a handy place to park your gloves whilst you reach for your ticket.

it's better with
VELCRO
touch and close fastener



Write for sample length to
Selectus Limited, BIDDULPH, Stoke-on-Trent.
Tel. Biddulph 3316

ing to decline, the rate of increase (9.2%) being lower than that of overall demand (11.1%).

Capital expenditure, which constitutes the other main element of home demand, in 1970 totalled Sfr. 25,000 million in round figures. It has proved to be the most dynamic factor in the country's economy with a 16.7% rate of increase for new industrial construction and one of 20% for new plant and equipment. Inflation has had a considerable influence in this development, however, so that in real terms the increase was probably only half as much.

Outlook

On the whole, the pattern in 1971 will be much the same as in 1970, except that inflationary pressures will be stronger. However, for some time now, there have been telltale signs of a business setback on the horizon. Consequently a slowdown in economic activity seems to be in the offing in the months to come.

(Swiss Bank Corporation)

CANTONAL

A martin cuts power supply at Zurich airport

A martin caused havoc at Kloten Airport one evening late in January. Having entered in a high tension commutator casing near to the transformer supplying emerging to airport installations, the weasel-like creature created a short circuit. Two emergency alternators were immediately set in operation, but one of them broke down owing to an excessive demand of power. Most of the airport's lighting was cut and an aircraft about to land was diverted towards Basle. The origin of the breakdown was quickly traced.

Timothy Leary will be asked to leave the Valais

The Head of the Department of Justice and Police of the Canton Valais, Mr. Arthur Bender, said that he would ask Timothy Leary, the "Apostle of LSD" to leave the Valais. He is actually residing at Montana-Crans and is wanted by the American Department of Justice. The Federal Police had both refused to grant political asylum to Timothy Leary and extradition to the American authorities. This means that his case falls under the Federal Law for Aliens, which he is breaking as he has been in Switzerland for seven months without holding a residence permit. The implementation of this federal law being the concern of Cantons, the Valais authorities will ask him to leave and will consider expelling him if necessary.

Women of Saint-Gall and Uri win the right to vote

As the outcome of a cantonal vote at the end of January, the women of Saint-Gall and Uri now have the same rights as their menfolk and may vote on cantonal and communal issues. Saint-Gall had been one of the cantons which a year ago rejected to give women the federal right of vote during a national referendum. The position had markedly reversed this time, as only 19 communes out of 90 voted "no".

In Uri, women were granted the right to vote at cantonal level by a 3,011 to 2,261 majority on 31st January. They will have to wait until 5th March to know, at the outcome of a second vote, whether they will be entitled to vote on communal affairs. Both these votes were organised as the result of a cantonal initiative launched in 1970.

There are now six cantons still refusing their women the right of vote on cantonal matters. All of them will reconsider the problem this year. On 30th April, the Landsgemeinde of Appenzell outer-Rhodes will vote a draft law already passed by the Great Council on giving women the right of vote at communal level. The Landsgemeinde of Nidwald will consider granting women complete voting rights (communal and cantonal) at a session taking place the same day.

In Obwald, where women may vote in every commune except at Kerns, the pace of progress towards cantonal right of vote is slower. The signatures for an individual initiative with this in view have been remitted to the authorities on 31st December. The proposals will have to be accepted by the next Landsgemeinde, following which a new law will be drafted. It is, however, unlikely that the women of

Obwald will be entitled to vote this year. In Appenzell inner-Rhodes, women have so far gained equality in educational and religious activities, whereas in Saint-Gall women have their say in cantonal life but not at communal level.

A committee to defend the vineyards of Vaud

Mr. Franz Weber, a journalist from Zurich residing in Paris, has launched an Action for the Defence of Lavaud, a quaint village perched in the vineyards overlooking Lake Geneva and threatened by a proposed large-scale building project. Mr. Franz Weber is already well known for the campaign he sponsored successfully in 1965 to save Surlej against real estate promoters. He has recently launched a similar campaign to save a natural site in France.

"I was astounded to learn that a perfectly well preserved site among the vines of Lavaud was going to be built up", he explained.

"I thought that the whole Lemanic area was protected from such deprivations by the inventory of natural sites recently established by the Public Works authorities of Vaud. I see that this is not the case.

"This region is Switzerland's visiting card. There are few sceneries in Europe in which nature and the work of man merge so perfectly. It doesn't only belong to Vaud, but like Venice and Abu Simbel, it belongs to mankind."

Mr. Weber has taken up the chairmanship of a Defence Committee to which the vinegrowers of the area are represented and intends taking brisk action to prevent the proposed erection of a building estate while there is still time. He plans to launch a nationwide campaign.

THE ZURICH GROUP

ZURICH INSURANCE COMPANY
(a limited Company incorporated in Switzerland in 1872)

THE BEDFORD LIFE ASSURANCE SOCIETY LTD.
(an associate member of the Life Offices Association)

THE BEDFORD GENERAL INSURANCE COMPANY LTD
(a member of the British Insurance Association)

UNDERTAKE ALL
CLASSES OF INSURANCE'
BRANCHES THROUGHOUT THE U.K.

HEAD OFFICE:
FAIRFAX HOUSE, FULWOOD PLACE
HIGH HOLBORN, LONDON, W.C.1

Telephone 01-242 8833

GROUP RESOURCES EXCEED £500,000,000

NIXON'S BARGAIN HAMPER



CALLING ALL MUMS & DADS

—Don't miss the Bus!

NYLON OVERALL for Mum
GARDEN GLOVES for Dad
RUBBER GLOVES for Washing up
COTTON GLOVES for Hand care

The best offer of the year, at a marvellous price. Overall colours: Turquoise, Coffee, Light Blue, Navy, Pink, Black — in Baby Checks. Please give second choice. Sizes: SW, W, WX, OS — All length 36 ins. Send P.O. to:—

M. NIXON & Co. Ltd. (Dept. S),
60 LILLIE ROAD, LONDON, SW6

Ovaltine



more than a bedtime drink



TRAVEL TWICE MONTHLY TO AND FROM SWITZERLAND AND ENGLAND

Providing DOOR TO DOOR SERVICES with vans specially equipped to carry — Household Removals. — Exhibition Goods.. — Works of Art. — Machinery.

For full information contact

In Switzerland

KEHRLI + OELER,
Nachf. A. Oeler,
3001 Berne,
Bubenbergplatz 9.
Tel. 031 22 00 22.

In England

LEP PACKING LTD.,
Corney Road,
Chiswick,
London, W.4.
Tel: 01-995 1300



Swiss Life

INSURANCE AND PENSION COMPANY.
(Incorporated with limited liability in Zurich Switzerland)

Mutual Company—Established 1857

**ASSETS EXCEED
£600 MILLIONS**

24 Cheapside, London E.C.2.
Telephone: 01-236 3841

Head Office: SCHWEIZERISCHE LEBENSVERSICHERUNGS-UND RENTENANSTALT, ZURICH.

RENTENANSTALT

specialises in Pension Plans for International Companies and

MASTER COVER CONTRACT

offers in Great Britain all types of life assurance and annuities.

30 Exchange Street East, Liverpool L2 3QB
Telephone: 051-236 6712

Ethiopia interested in the Swiss Army

The Swiss Ambassador to Ethiopia, Mr. Heinz Langenbacher, has shown a series of military films to Ethiopia's defence chiefs. This mountainous African country would like to transform its professional army into a militia army, and is particularly interested in the Swiss formula. An Ethiopian team is due to visit Switzerland this year. Owing to its geography, Ethiopia's forces are faced with the same tactical problems as the Swiss army and the General Staff is highly interested in Swiss methods.

New combat rations

A new combat ration will be introduced in the forces. It will enable a soldier having lost his unit to survive for a whole day. The modern ration, contained in an aluminium bag wrapped in radiation-proof plastic, has been conceived in co-operation with private industry. It weighs 150 grammes and has an energy value of 780 calories. Its menu is remarkably unsophisticated: Two ham sandwiches, two cheese sandwiches, two bars of chocolate and powdered orange juice. The brains behind this new creation have done away with dehydrated or concentrated foods, such as cubes and tablets. The experience had shown that these were not appreciated by the majority.

(ATS)

SWITZERLAND-UN

New proposals

The recent Federal Message on the relations of Switzerland with the United Nations and its Agencies has been approved by a special commission of the Council of States. In the Message, the Federal Council had said that the Swiss people would be called to a referendum on the question of membership in the foreseeable future.

According to Mr. Fridolin Stucki, Member of Commission, it had been far from unanimous. The Message considers that the Common Market issue has to be solved before Switzerland seriously considers entering the United Nations. Mr. Pierre Graber, Head of the Political Department and Mr. Rudolf Bindschelder, Legal Councillor for the Department, took part in the Commission's debate.

LAST MINUTE

Before going to press, we learn that two employees of a Swiss financial organisation have been arrested for having disclosed information on the holdings of British nationals in Swiss banks to the British Inland Revenue. At the time of writing, there was little comment available both in Britain and Switzerland.

SWISS CATHEDRALS

LAUSANNE
NOTRE-DAME CATHEDRAL

At both extremities of the old City, the highest of the five hills towering Lausanne, are the Château, siege of the government, and the Cathedral whose silhouette dominates the town. The cathedral, consecrated to Notre-Dame, is one of the most remarkable Gothic edifices of Switzerland. The foundation traces its origin back to the end of the 16th Century. It was reconstructed several times. As it now exists, in the purest ogival style, it dates from the 13th Century.

On 19th October, 1275, Pope Gregory X made the solemn dedication to the Virgin, in the presence of the emperor Rodolph of Habsbourg, seven cardinals, twenty archbishops, seventeen bishops, princes, a great number of counts and priests, and a multitude of persons having come from all parts of Christendom. It is at Lausanne that ended the conflict that had stood for years between the empire and the papacy, an alliance which was to become one of the foundations of European politics during many centuries.

The Cathedral of Lausanne has more or less suffered from fires, in 1320, 1657, 1674 and 1825. Like most Gothic churches, it is built on the model of the Latin cross set from east to west. Seventy windows give light to the edifice, which has more than 1,300 pillars and columns. The loftiness of the vaults contributes to the beauty of the cathedral structure. Most of the riches which were at Notre-Dame, paintings, statues, sumptuous ornaments, were taken away, in 1536, at the time of the conquest of the Country of Vaud by the Bernese, and which

are today in the Historic Museum in Berne.

One of the most interesting parts of the cathedral is the Rose, of 9m. diameter, above the front of the meridional transept. It is adorned with marvellous stained glass windows of the 13th Century. They represent the universe as it was figured in the middle age, the four elements, the seasons, the months, the signs of the zodiac, etc. A window, "Law and Mercy" from Hosch, after Paul Robert, is a real beauty. Other windows recall phases in the history of the Country of Vaud, armorials of the bishoprics of Rome, Geneva, Lausanne and Sion, of the Zähringen, Kybourgs, Châlon, Montfalcon, of the rectors of Burgundy, lords of Faucigny, counts of Geneva, of Pierre de Savoie, and of the six bishops holding the episcopal see from 1375 to 1536.

A superb organ, one of the most remarkable in Switzerland, was installed in 1903, in the place of the instrument of 1738.

The great portal, the principal entrance, is of the 16th Century. The middle of the facade, 15m. high, is decorated with a great number of sculptures, representing religious subjects. A very ancient monument, the Apostles Porch, precedes the second entrance adorned with twelve statues of prophets and saints, is a masterpiece of Gothic art in Switzerland.

The cathedral has seven bells; the largest of the two great bourdons is 2m. 10 in diameter. The twelve bells of Lausanne (seven at Notre-Dame, four at Saint-François, and one at Saint-Laurent) have been repaired and harmnoised in 1898 and 1899. Their ringing is one of the most beautiful in existence.

(Pierre Savoie)

THE PERSONAL TOUCH

—that's what counts

FOR ALL TRAVELS

—by Land, Sea and Air

let **A. GANDON** make
your reservationsTICKETS issued at STATION PRICES
NO BOOKING FEE**HOWSHIP**

TRAVEL AGENCY

188, UXBRIDGE ROAD
Shepherds Bush W.12

Telephones: 01-743 6268/9 and 1898