

Zeitschrift: The Swiss observer : the journal of the Federation of Swiss Societies in the UK
Band: - (1974)
Heft: 1690

Werbung

Nutzungsbedingungen

Die ETH-Bibliothek ist die Anbieterin der digitalisierten Zeitschriften. Sie besitzt keine Urheberrechte an den Zeitschriften und ist nicht verantwortlich für deren Inhalte. Die Rechte liegen in der Regel bei den Herausgebern beziehungsweise den externen Rechteinhabern. [Siehe Rechtliche Hinweise.](#)

Conditions d'utilisation

L'ETH Library est le fournisseur des revues numérisées. Elle ne détient aucun droit d'auteur sur les revues et n'est pas responsable de leur contenu. En règle générale, les droits sont détenus par les éditeurs ou les détenteurs de droits externes. [Voir Informations légales.](#)

Terms of use

The ETH Library is the provider of the digitised journals. It does not own any copyrights to the journals and is not responsible for their content. The rights usually lie with the publishers or the external rights holders. [See Legal notice.](#)

Download PDF: 22.11.2024

ETH-Bibliothek Zürich, E-Periodica, <https://www.e-periodica.ch>

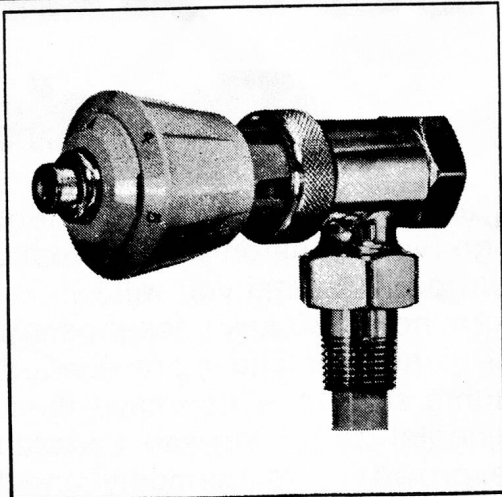
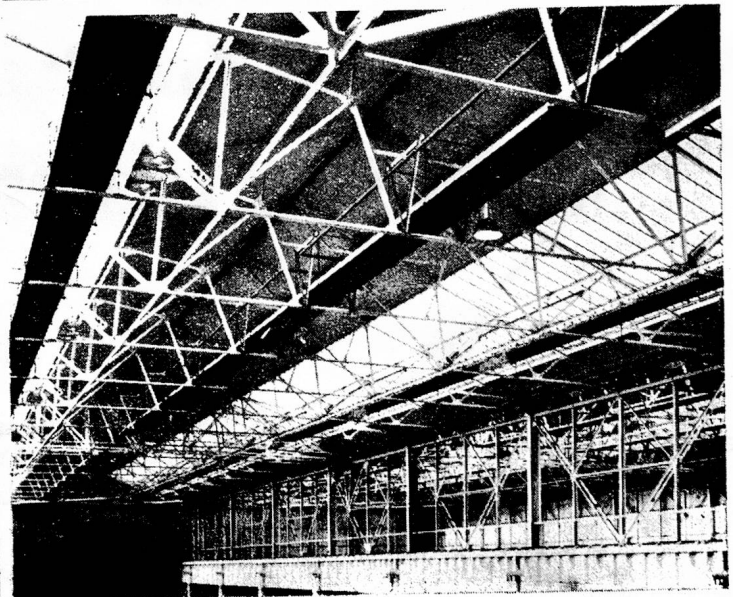
your home your office your factory

Sulzer's international experience solves heating problems in Britain

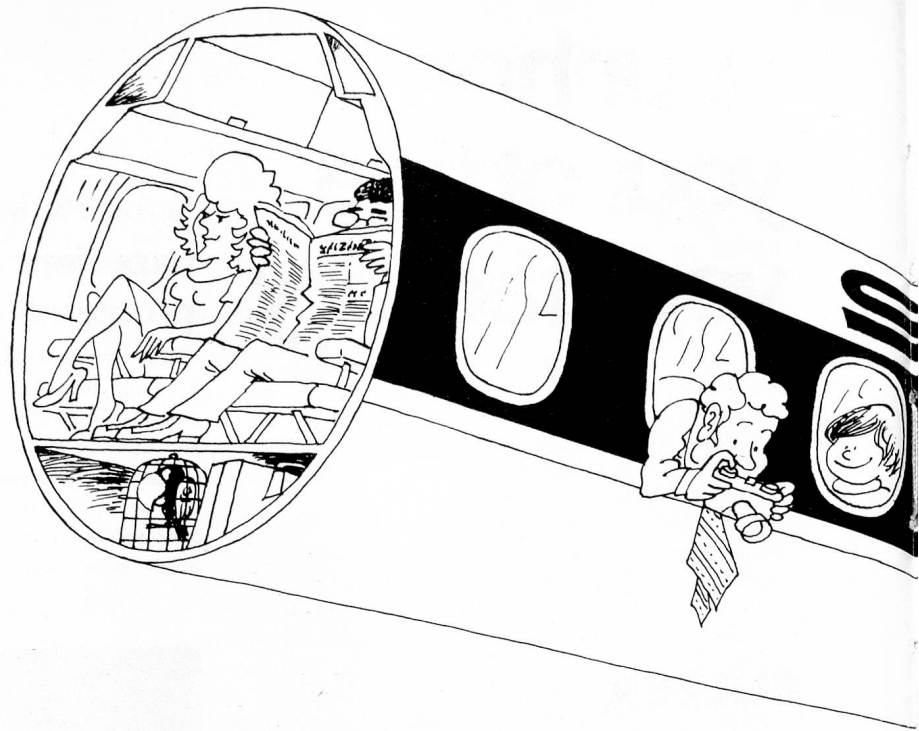
Sulzer's services range from industrial heating and ventilating contracts to a unique thermostatic radiator valve for use in domestic central heating systems. This valve, which is helping British families to get more economy and comfort from their central heating, is called Temset. Set it to the temperature you want — and from then on it keeps the room at that level of heat. Temset even makes adjustments to compensate for the number of people in the room and changes in the weather.

Sulzer Bros./London/Ltd., Bainbridge House, Bainbridge Street, London WC1A 1HS

SULZER



TEMSET



By popular demand the number of First Class Thanks ev

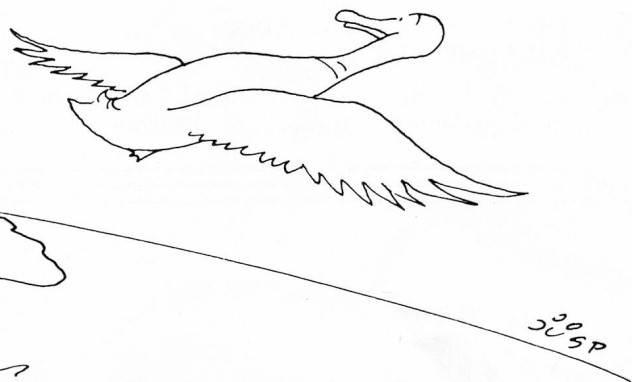
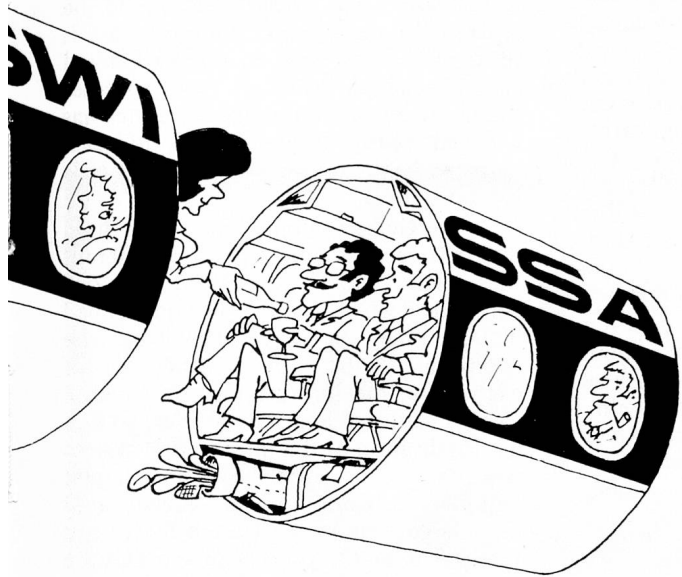
On its European short-range aircraft, the DC-9, Swissair has now increased the number of seats in the First Class section from eight to twelve. This is our response to a tendency that is becoming more and more evident, at least for Swissair: the number of passengers wanting First Class tickets even for short hops is on the rise.

One reason for this upward trend, admittedly, may be that Swissair, unlike some other airlines, makes no class distinctions between

long and short flights. (On some airlines you can go First Class only to or from Europe, not in Europe, pay what you will.)

Anyhow, Swissair passengers who want an even pleasanter and more comfortable flight, though a short one, can have their way. Intercontinental and European Swissair networks alike provide both Economy and First Class bookings everywhere. Fly from one European city to another or one continent to another,

of a Swissair DC-9.



and we've increased seats on our DC-9s by 50%. er so much.

Swissair doesn't mind: If you like, the champagne will bubble as free between Rome and Zurich as between Zurich and New York; you are as much comfortable between Bombay and Athens as you are between Athens and Geneva.

So, when you fly back from overseas to Europe, you needn't change your habits; Swissair will fly you both ways First Class, from departure to destination.

