

Zeitschrift: The Swiss observer : the journal of the Federation of Swiss Societies in the UK
Herausgeber: Federation of Swiss Societies in the United Kingdom
Band: - (1975)
Heft: 1709

Werbung

Nutzungsbedingungen

Die ETH-Bibliothek ist die Anbieterin der digitalisierten Zeitschriften. Sie besitzt keine Urheberrechte an den Zeitschriften und ist nicht verantwortlich für deren Inhalte. Die Rechte liegen in der Regel bei den Herausgebern beziehungsweise den externen Rechteinhabern. [Siehe Rechtliche Hinweise.](#)

Conditions d'utilisation

L'ETH Library est le fournisseur des revues numérisées. Elle ne détient aucun droit d'auteur sur les revues et n'est pas responsable de leur contenu. En règle générale, les droits sont détenus par les éditeurs ou les détenteurs de droits externes. [Voir Informations légales.](#)

Terms of use

The ETH Library is the provider of the digitised journals. It does not own any copyrights to the journals and is not responsible for their content. The rights usually lie with the publishers or the external rights holders. [See Legal notice.](#)

Download PDF: 01.04.2025

ETH-Bibliothek Zürich, E-Periodica, <https://www.e-periodica.ch>

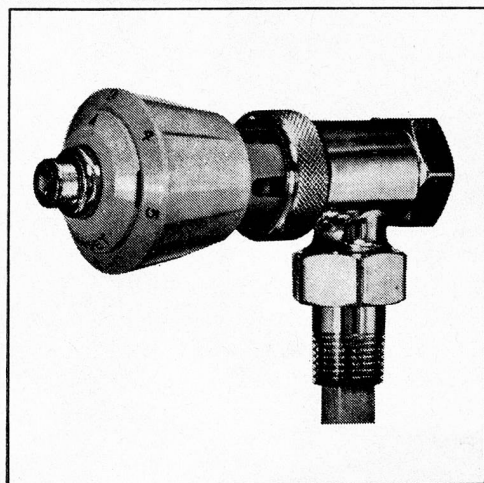
your home your office your factory

Sulzer's international experience solves heating problems in Britain

Sulzer's services range from industrial heating and ventilating contracts to a unique thermostatic radiator valve for use in domestic central heating systems. This valve, which is helping British families to get more economy and comfort from their central heating, is called Temset. Set it to the temperature you want — and from then on it keeps the room at that level of heat. Temset even makes adjustments to compensate for the number of people in the room and changes in the weather.

Sulzer Bros. (UK) Ltd., Bainbridge House, Bainbridge Street, London WC1A 1HS

SULZER



TEMSET

INDEX OF PRICES IN SWITZERLAND AT THE END OF MAY 1975

	<i>Wholesale price</i> 1963 = 100	<i>Difference in</i> <i>relation to</i>	<i>Retail price</i> End of Sept. 1966 = 100	<i>Difference in</i> <i>relation to</i>
End of May 1975	149.0		163.1	
End of April 1975	149.3	-0.2%	161.9	+0.7%
End of May 1974	152.6	-2.4%	150.8	+8.2%
Evolution of the prices of	... raw materials, semi-manufactured products and consumer goods		... main consumer goods and services included in the family budget of wage-earners	

SWISS FOREIGN TRADE IN MAY 1975

<i>Period</i>	<i>Imports</i>	<i>Switzerland's Balance of Trade</i>		<i>Value of exports as a % of the value of imports</i>
		<i>Exports</i>	<i>Adverse balance</i>	
(In million Swiss francs)				
1974 May	3,846.3	3,218.7	627.6	83.7
1975 April	3,239.9	2,891.7	348.2	89.3
1975 May	2,677.5	2,619.5	58.0	97.8
1974 Jan.-May	18,368.2	14,669.6	3,698.6	79.9
1975 Jan.-May	14,957.5	13,382.0	1,575.5	89.5

EXCEPTIONAL FREEHOLD PROPERTY at SONNING-ON-THAMES

House on Lock Island
near Elizabethan Village

35 minutes train to Paddington
2 miles - M4

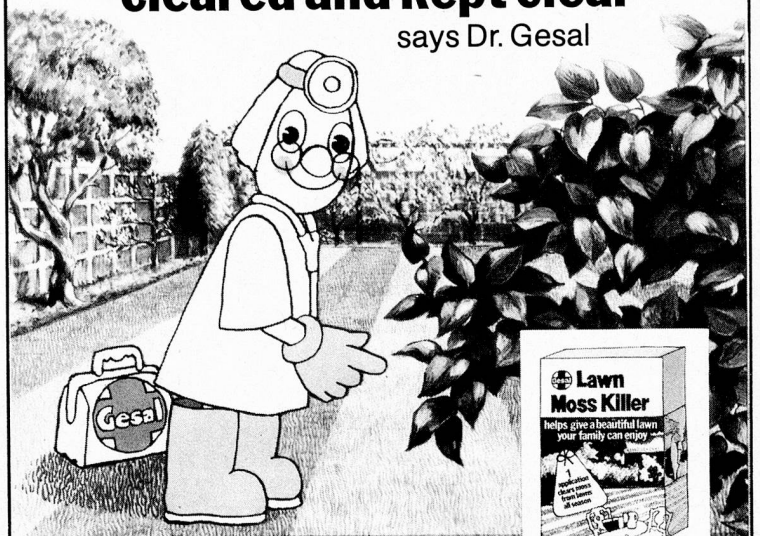
Beautifully appointed house. Large drawing room opening on to sun terraces and secluded garden. Lovely views all rooms. Five bedrooms, three baths, two reception. Full central heating. Double garage. 2/3 acre. 350 feet riverside, deep moorings. Golf, sailing, motor yacht clubs nearby.

OFFERS INVITED

01-499 2556 Office Hours
0734-693256 Weekends
WEIR HOUSE, SONNING

'LAWN MOSS can now be cleared and kept clear'

says Dr. Gesal



"Use Gesal Lawn Moss Killer this Autumn and you won't have to use anything again! What's more, it's the first, really safe, moss killer available - and the easiest to use, in ready measured doses.

Now a beautiful, moss-free lawn can be yours at last!"

**CIBA-GEIGY (UK) Limited, Simonsway,
Manchester M22 5LB.**